

# Helios II 720B

## LAMPHEAD CONTENTS

- Lamp Housing
- Hanging Wire
- Black Skirt
- Silk Skirt
- Target Assembly
- AC Cable



Black Skirt

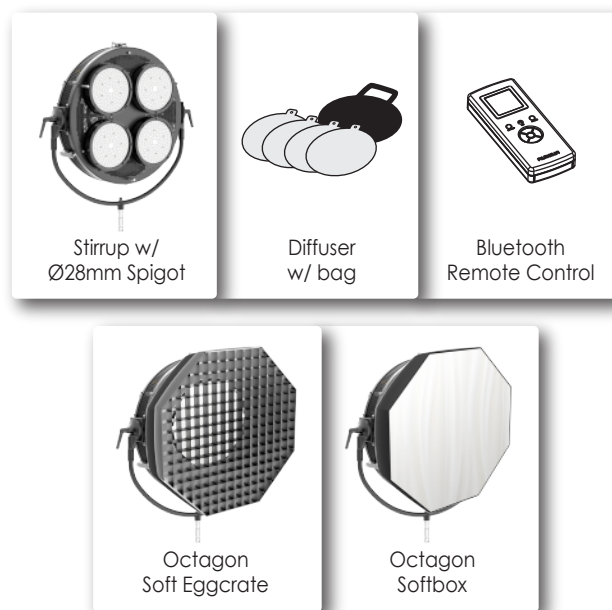
Silk Skirt

## HELIOS II 720B

### SPECIFICATIONS

Identity No.	L0072SLB2
Max. Capacity	720W
Voltage	100 - 240V AC
Current	3.5A@ 220V AC
Color Temp. Range	2700K - 6000K
CRI	Average >95
TLCI	Average >95
Dimming Range	0-100%
Control Signal	DMX 512
Communication	DMX XLR-5, CRMX (LumenRadio), Bluetooth, Ethernet, USB A
DMX Channel	3
LED Lifetime	30,000 Hrs (Estimated)
Max. Surface Temp.	60°C
Max. Ambient Temp.	45°C
Weight (Lamphead)	24kg

### ACCESSORIES



Stirrup w/  
Ø28mm Spigot

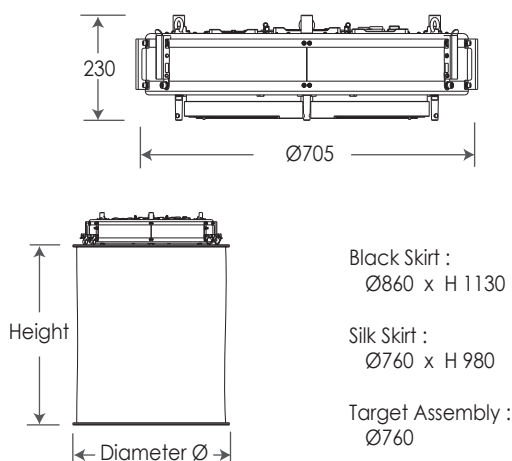
Diffuser  
w/ bag

Bluetooth  
Remote Control

Octagon  
Soft Eggcrate

Octagon  
Softbox

### DIMENSIONS (mm)

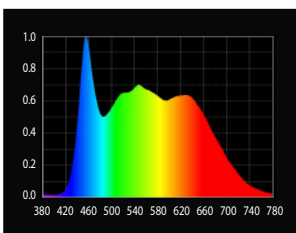


Black Skirt :  
Ø860 x H 1130

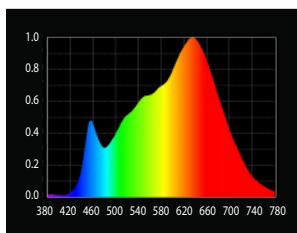
Silk Skirt :  
Ø760 x H 980

Target Assembly :  
Ø760

### SPECTRUM



5600K



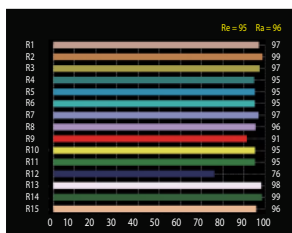
3200K

### PHOTOMETRIC DATA

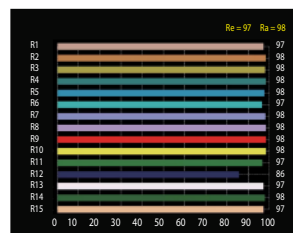
Distance	5600K		3200K	
	Lux	Beam Ø	Lux	Beam Ø
2m	36200	0.85	31100	0.85
3m	17200	1.28	14400	1.28
4m	10400	1.70	8730	1.70
5m	6830	2.12	5750	2.12
6m	4810	2.55	4040	2.55
7m	3500	2.98	2960	2.98
8m	2680	3.40	2260	3.40
9m	2120	3.83	1780	3.83
10m	1720	4.25	1450	4.25

# Naked, no skirt

### HISTOGRAM



5600K



3200K