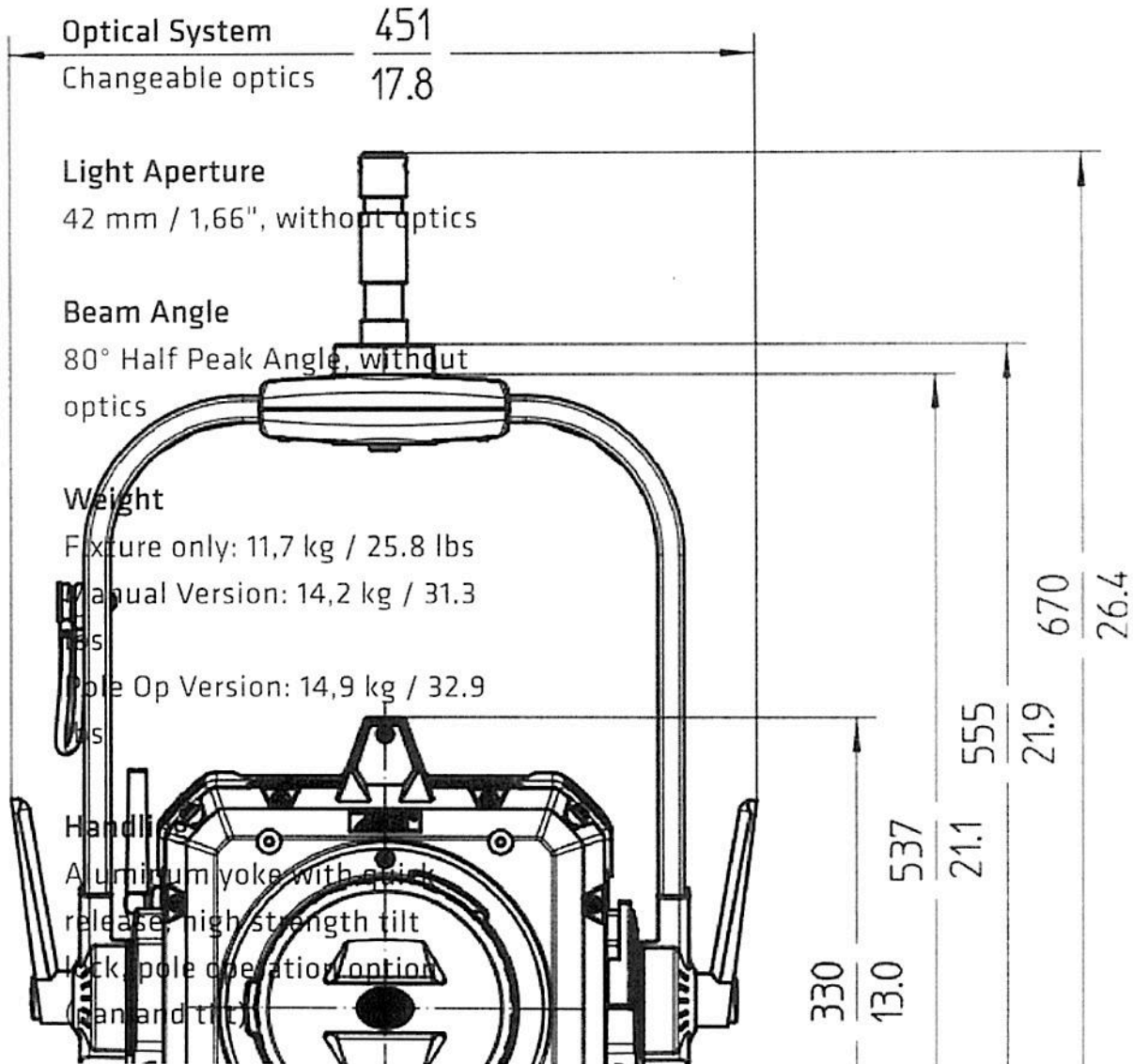
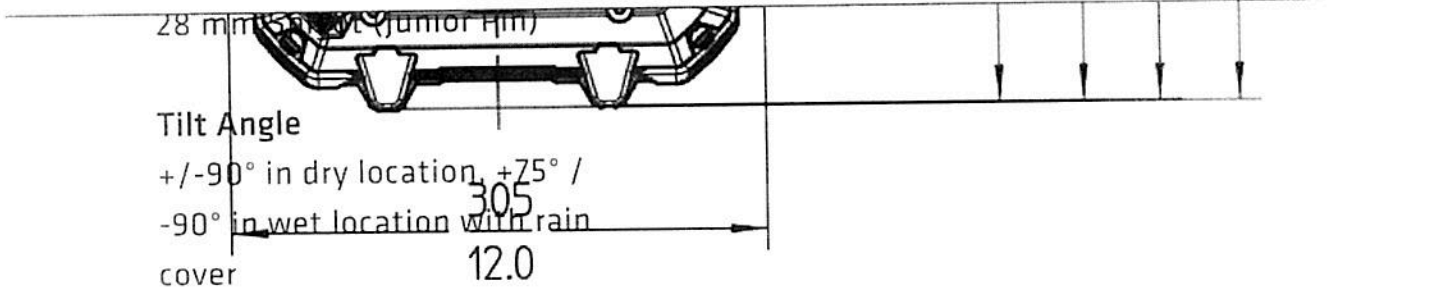




Technical Specifications





Voltage Input Range

100 - 240 V~, 50 - 60 Hz

Power Consumption

400 W Nominal, 500 W
Maximum

Mains Power Connection

powerCON TRUE1 TOP
(Bare Ends / Schuko / Edison,
Japanese, Chinese cables
available)

Battery Connector

3-Pin XLR Connector (Pin 1:
negative, Pin 2: positive)

Battery DC Voltage Range

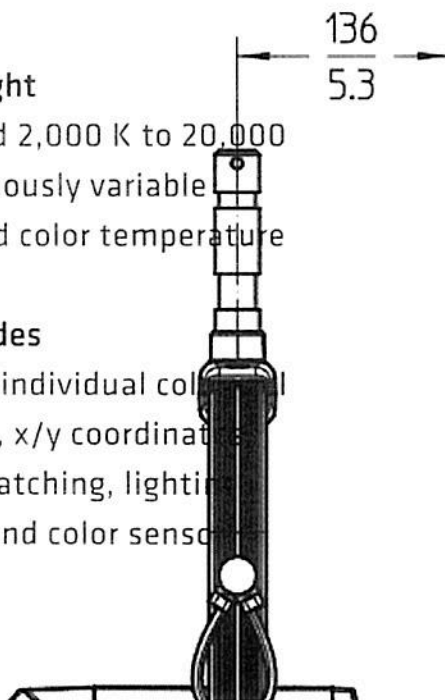
48 - 52 V-

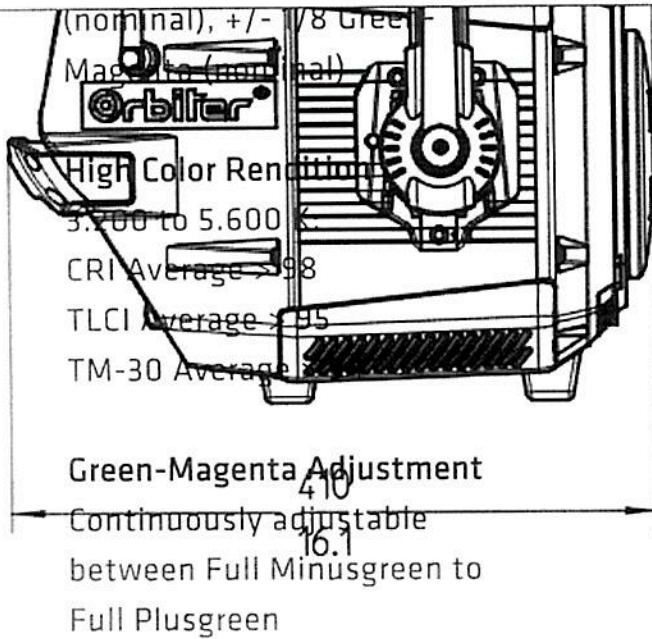
White Light

calibrated 2,000 K to 20,000
K continuously variable
correlated color temperature

Color Modes

CCT, HSI, individual color
selection, x/y coordinates
source matching, lighting
effects, and color sensor
mode





Dimming

Smooth, 100 - 0%,
continuously, linear /
exponential / logarithmic /
„S“ curve

Connectivity

Removable Control Panel via
PoE, 5-pin XLR in and
through, EtherCON in and
through, 2 x USB-A, USB-C,
SD Card, Camera Sync Input

Control Options

Wireless control via
LumenRadio CRMX* (DMX &
RDM), Full E1.20 RDM
standard implementation
with custom & standard RDM
commands

* Brand: LumenRadio AB, Equipment:
CRMX TiMo, Model: 200-1502,
Product: Orbiter 2.4G Wireless Control
Module, Frequency Range: 2402 - 2480

Number of Channels: 79, Channel

Spacing: 1 MHz, Modulation Type:

GFSK

Housing Color

Blue/silver, Black

Ambient Temperature

Operation

-20 to +45° C (-4 to +113° F)

Protection Class

I

IP Rating

IP 20 without Rain Cover, IP24
with Rain Cover L2.0037805

Estimated LED Lifetime (L70)

50,000 hours

Estimated Color Shift Over Lifetime (CCT)

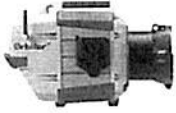
+/- 5 %

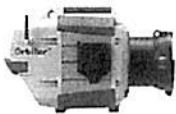
Certifications

CE, CB, ENEC, cNRTLus, FCC,
ICES; pending: PSE, KC, SRRC
and more

All specifications are preliminary typical
values. Subject to change without notice.

Order now

	1 m / 3.3 ft	3 m / 9.8 ft.	5 m / 16.4 ft.		
High Output					
3.200 K	15.100 lx	1.678 lx	604 lx	60°	
	40.600 lx	4.511 lx	1.624 lx	30°	
	121.300 lx	13.478 lx	4.852 lx	15°	
	11.273 fc	1.253 fc	451 fc		
Orbiter with Open Face Optics 30°	3.773 fc	419 fc	151 fc	30°	
	1403 fc	156 fc	56 fc	60°	

	1 m / 3.3 ft	3 m / 9.8 ft.	5 m / 16.4 ft.		
High Output					
5.600 K	20.800 lx	2.311 lx	832 lx	60°	
	58.500 lx	6.500 lx	2.340 lx	30°	
	171.000 lx	19.000 lx	6.840 lx	15°	
	15.892 fc	1.766 fc	636 fc		
Orbiter with Open Face Optics 30°	5.437 fc	604 fc	217 fc	30°	
	1.933 fc	215 fc	77 fc	60°	

As of September 2020

Frequently Asked Questions

Orbiter is more than a single fixture, it is a system with many options. Therefore, it is not possible to narrow down any specific photometric data. ARRI keeps pushing for the best in color rendition and output; we are still working hard to optimize the photometrics in Orbiter. Details about the fixture's photometrics will be available in September 2020.

Which color modes does Orbiter support with LiOS 1?

Should I use Individual Color Control or HSI for colored light?

Why does Orbiter support more colors than SkyPanel or the L-Series?

Why does Orbiter enable better color rendition than SkyPanel or the L-Series?

What is Rec 709? (from WF L&H/Color FAQ)

What is Rec 2020? (from WF L&H/Color FAQ)

What is color gamut? (from WF L&H/Color FAQ)

What are the differences of Individual color control to SkyPanel's RGBW?

Which frame rates does Orbiter support?

Can Orbiter smoothly dim from 100 to 0%?

What is the pin assignment of XLR 3 und 5 ports (Battery und DMX)?

What is the meaning of LiOS?

How does ARRI Spectra differ from other light engine designs?

Does Orbiter work with Stellar?

Is Orbiter compatible with SkyPanel and L-Series?

What does multi-language mean in LiOS?

When will Orbiter be available for purchase?

How much does Orbiter cost?

Why does Orbiter not offer all modes and functions of SkyPanel?

What is the main difference between High Output and High Color Rendition mode?

Can I use two control panels in parallel - one via cable, one clicked in?

Does the CCT (correlated color temperature) value remain the same even when adjusting saturation?

The type plate states 500 W nominal power. How much power does the light engine actually draw?

Why does Orbiter need an additional rain cover? It claims to have a weatherproof housing.

[Order now](#)

the previous Master/Slave mode on SkyPanel:

Explore

[Explore Orbiter's Features >](#)

[Order now](#)

Discover all Orbiter accessories >

Feedback

Get the latest news >

Videos

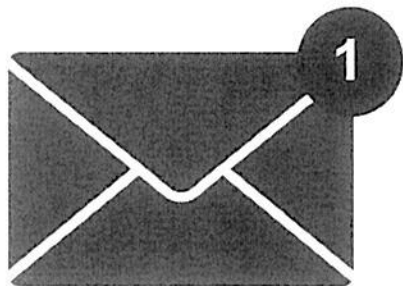
Watch the videos >

Downloads

Learn more >

Stay informed

[Sign up now >](#)



Order now

[Find your local dealer >](#)



Follow us

[Accessories](#)[User Feedback](#)[Videos](#)[Tech Specs](#)[Downloads](#)[Order now](#)

ARRI, the ARRI Logo,
ARRIMAX, ARRISUN, EB,
LiOS, L-Series, MAX
Technology, M-Series,
Orbiter, POCKETPAR, Quick
Lighting Mount, True Blue,
SkyPanel, SKYPANEL, T 12
and T 24 are registered
Trademarks of Arnold C.