

PHILIPS

Strand Lighting

LEKO LITE Luminaires



Philips Strand Lighting Offices

Philips Strand Lighting - Dallas

10911 Petal Street
Dallas, TX 75238
Tel: +1 214-647-7880
Fax: +1 214-647-8030

Philips Strand Lighting - Auckland

19-21 Kawana Street
Northcote, Auckland 0627
New Zealand
Tel: +64 9 481 0100
Fax: +64 9 481 0101

Philips Strand Lighting - New York

267 5th Ave, 4th Floor
New York, NY 10016
Tel: +1 212-213-8219
Fax: +1 212-532-2593

Philips Strand Lighting - Europe

Rondweg zuid 85
Winterswijk 7102 JD
The Netherlands
Tel: +31 (0) 543-542516

Philips Strand Lighting - Asia Limited

Unit C, 14/F, Roxy Industrial Centre
No. 41-49 Kwai Cheong Road
Kwai Chung, N.T., Hong Kong
Tel: +852 2796 9786
Fax: +852 2798 6545

Website:

www.strandlighting.com

The material in this manual is for information purposes only and is subject to change without notice. Philips Strand Lighting assumes no responsibility for any errors or omissions which may appear in this manual. For comments and suggestions regarding corrections and/or updates to this manual, please visit the Philips Strand Lighting web site at www.strandlighting.com or contact your nearest Philips Strand Lighting office.

El contenido de este manual es solamente para información y está sujeto a cambios sin previo aviso. Philips Strand Lighting no asume responsabilidad por errores o omisiones que puedan aparecer. Cualquier comentario, sugerencia o corrección con respecto a este manual, favor de dirijirlo a la oficina de Philips Strand Lighting más cercana.

Der Inhalt dieses Handbuches ist nur für Informationszwecke gedacht, Aenderungen sind vorbehalten. Philips Strand Lighting uebernimmt keine Verantwortung für Fehler oder Irrtuemer, die in diesem Handbuch auftreten. Für Bemerkungen und Verbesserungsvorschlaege oder Vorschlaege in Bezug auf Korrekturen und/oder Aktualisierungen in diesem Handbuch, moechten wir Sie bitten, Kontakt mit der naechsten Philips Strand Lighting-Niederlassung aufzunehmen.

Le matériel décrit dans ce manuel est pour information seulement et est sujet à changements sans préavis. La compagnie Philips Strand Lighting n'assume aucune responsabilité sur toute erreur ou omission inscrite dans ce manuel. Pour tous commentaires ou suggestions concernant des corrections et/ou les mises à jour de ce manuel, veuillez s'il vous plait contacter le bureau de Philips Strand Lighting le plus proche.

Note: Information contained in this document may not be duplicated in full or in part by any person without prior written approval of Philips Strand Lighting. Its sole purpose is to provide the user with conceptual information on the equipment mentioned. The use of this document for all other purposes is specifically prohibited.

Document Number: **02.8101.0002**

Version as of: **24 January 2013**

LEKO LITE Luminaire Installation & User's Manual

©2011 - 2013 Philips Group. All rights reserved.

IMPORTANT INFORMATION

Warnings and Notices

When using electrical equipment, basic safety precautions should always be followed including the following:



- a. **READ AND FOLLOW ALL SAFETY INSTRUCTIONS.**
- b. Do not use outdoors.
- c. Do not mount near gas or electric heaters.
- d. Equipment should be mounted in locations and at heights where it will not readily be subjected to tampering by unauthorized personnel.
- e. The use of accessory equipment not recommended by the manufacturer may cause an unsafe condition.
- f. Do not use this equipment for other than intended use.
- g. Refer service to qualified personnel.

SAVE THESE INSTRUCTIONS.



WARNING: You must have access to a main circuit breaker or other power disconnect device before installing any wiring. Be sure that power is disconnected by removing fuses or turning the main circuit breaker off before installation. Installing the device with power on may expose you to dangerous voltages and damage the device. A qualified electrician must perform this installation.

WARNING: Refer to National Electrical Code® and local codes for cable specifications. Failure to use proper cable can result in damage to equipment or danger to personnel.

WARNING: This equipment is intended for installation in accordance with the National Electric Code® and local regulations. It is also intended for installation in indoor applications only. Before any electrical work is performed, disconnect power at the circuit breaker or remove the fuse to avoid shock or damage to the control. It is recommended that a qualified electrician perform this installation.



WARNING! Remove all power from luminaire before installing lamp or performing any service. **THE LUMINAIRE PRODUCES EXTREME HEAT AND CAN BURN IF TOUCHED WITH BARE HANDS.** Allow unit to cool before servicing. Only use specified / approved lamps at the correct voltage with luminaire.

TABLE OF CONTENTS

Philips Strand Lighting Offices	Inside Front Cover
IMPORTANT INFORMATION	
Warnings and Notices.....	1
TABLE OF CONTENTS	
PREFACE	
About this Manual	3
Product Descriptions.....	3
LEKO LITE Luminaires.....	3
ACCESSORIES	
LEKO LITE Luminaire Lamps	4
LEKO LITE Luminaire Connectors.....	4
LEKO LITE Luminaire Clamps & Safety Cable	4
LEKO LITE Luminaire Frames / Gobo Holders / Iris	4
LEKO LITE LUMINAIRE OVERVIEW	
Variable Beam Models.....	5
Fixed Beam Models.....	5
Standards and Conformance	6
Compliance.....	6
INSTALLATION AND SET UP	
Power Requirements.....	7
Lamp Installation	7
Connecting Power.....	8
Mounting	8
Using Supplied C-Clamp.....	8
Safety Cable.....	8
Pan and Tilt Adjustments.....	9
Pan Adjustment	9
Tilt Adjustment.....	9
FOCUS AND BEAM ADJUSTMENTS	
Variable Beam Angle Models.....	10
Light Field Optimization	10
Beam Angle and Focus Adjustments	10
Fixed Beam Angle Models	11
Light Field Optimization	11
Beam Angle and Focus Adjustments	11
Beam Shutter Operation	12
Gobos.....	12
MAINTENANCE AND CARE	
Before Cleaning	13
Cleaning.....	13
FEATURES AND SPECIFICATIONS	
Standard Features.....	14
Standard Specifications	14
Product Dimensions.....	15

PREFACE

1. About this Manual

The document provides installation and operation instructions for the following products:

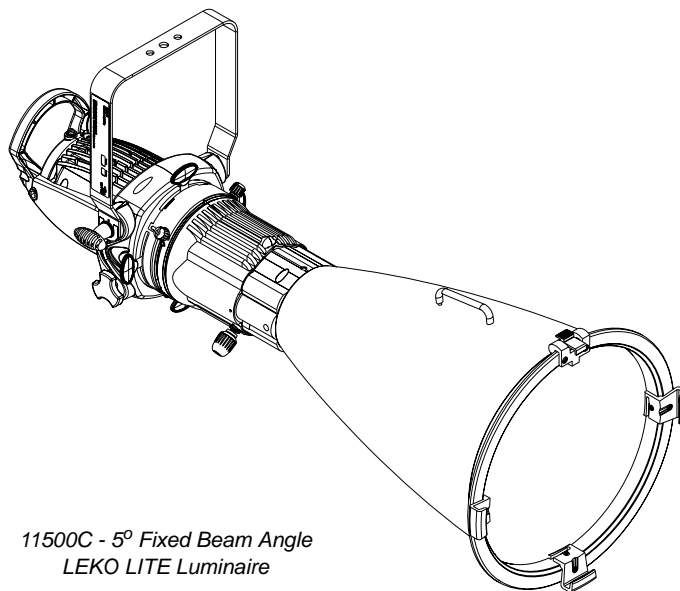
- LEKO LITE Luminaires (refer to "[Product Descriptions](#)" for individual product models).

Please read all instructions before installing or using this product. *Retain this manual for future reference.* Additional product information and descriptions may be downloaded at www.strandlighting.com.

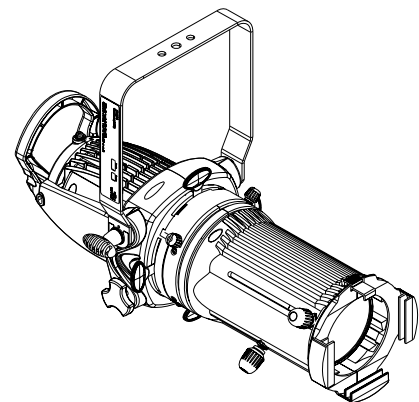
2. Product Descriptions

This manual covers the following LEKO LITE Luminaire models:

LEKO LITE Luminaires



11500C - 5° Fixed Beam Angle
LEKO LITE Luminaire



11440C - 23° to 50° Variable Beam Angle
LEKO LITE Luminaire

Part Number	Description
11430C	15° to 32° Variable Beam Angle LEKO LITE Luminaire
11440C	23° to 50° Variable Beam Angle LEKO LITE Luminaire
11500C	5° Fixed Beam Angle LEKO LITE Luminaire
11510C	10° Fixed Beam Angle LEKO LITE Luminaire
11520C	19° Fixed Beam Angle LEKO LITE Luminaire
11530C	26° Fixed Beam Angle LEKO LITE Luminaire
11540C	36° Fixed Beam Angle LEKO LITE Luminaire
11550C	50° Fixed Beam Angle LEKO LITE Luminaire

Notes:

- 1) All LEKO LITE Luminaires are All LEKO LITE luminaires are supplied with 360° rotation mounting yoke, color frame, C-Clamp (SC), and AC power cable. All other accessories sold separately.
- 2) Product accessories can be found in "[ACCESSORIES](#)" on page 4.

3. ACCESSORIES

Contact your Authorized Philips Strand Lighting Dealer for price and availability of all accessories for LEKO LITE Luminaires. Additional information can be found on the Philips Strand Lighting web site at www.strandlighting.com.

LEKO LITE Luminaire Lamps

Part Number	Description
NPA	Hi-Brite Lamp, 575W, 115V Long Life Lamp
GRS	Hi-Brite Lamp, 750W, 115V Fast Fit
NPC	Hi-Brite Lamp, 800W, 240V Fast Fit

LEKO LITE Luminaire Connectors

Part Number	Description
GR	15A, NEMA 5-15P Male Edison Connector
GP	20A, Male Stage Pin Connector
GTL	20A, NEMA L5-20P Male Twist-Lock Connector

LEKO LITE Luminaire Clamps & Safety Cable

Part Number	Description
SC	C-Clamp for 3/4-inch to 1-1/2-inch Pipe
82003	Safety Cable

LEKO LITE Luminaire Frames / Gobo Holders / Iris

Part Number	Description
18045	B-Size Gobo Holder
18049	Iris, 24 Leaf
18114	Color Frame
18115	High Hat
18136	5-Degree Color Frame
18137	10-Degree Color Frame
18139	10-Degree High Hat
18143	Donut
18147	5-inch Gel Frame Extender

LEKO LITE LUMINAIRE OVERVIEW

1. Variable Beam Models

Figure 1 illustrates the common features of all variable beam model LEKO LITE Luminaires.

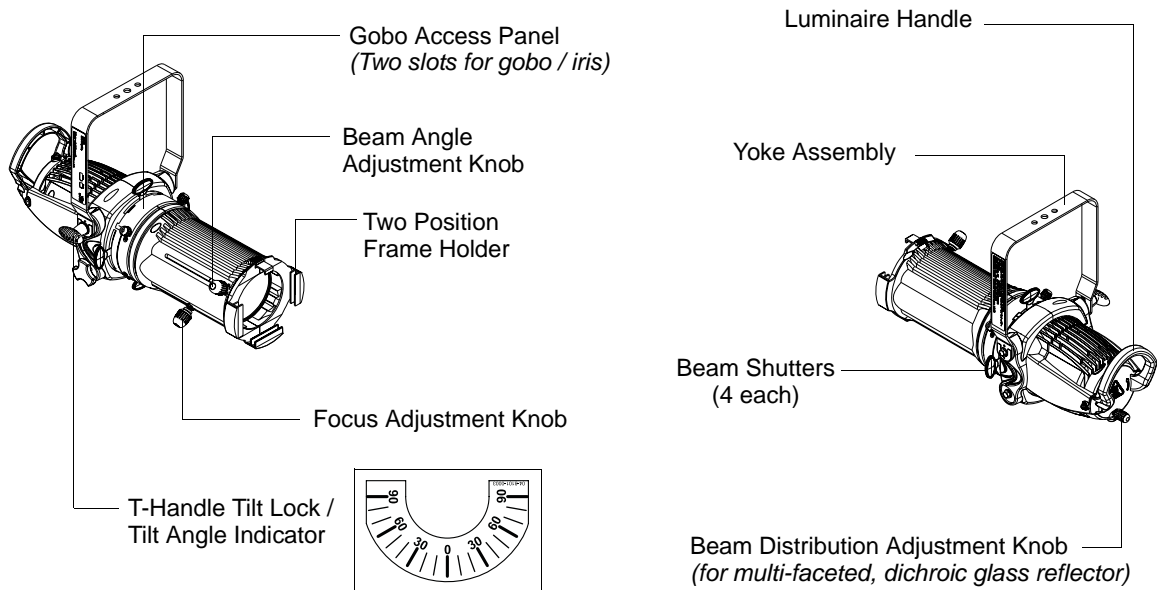


Figure 1: Variable Beam Model Features

2. Fixed Beam Models

Figure 2 illustrates the common features of all fixed beam model LEKO LITE Luminaires. Note, common features shown on different models for variety. Check product specification sheet for specific model field angles and information.

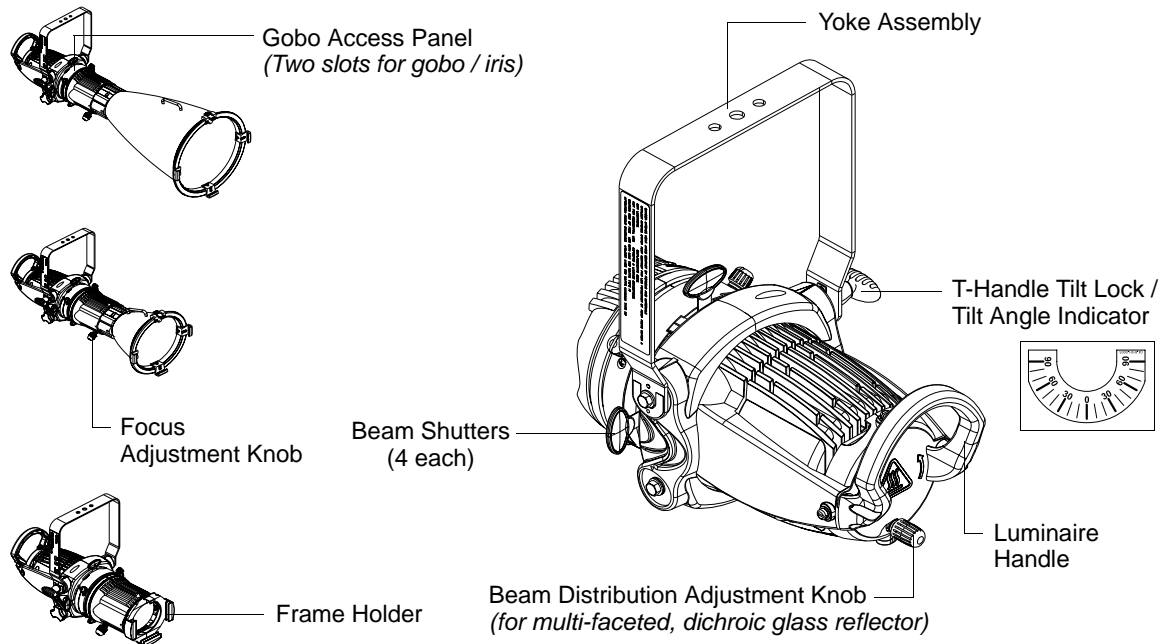


Figure 2: Fixed Beam Model Features

3. Standards and Conformance

LEKO LITE Luminaires are designed to conform to the latest safety standards and requirements. The following describes the safety and operational information on the luminaire's label.

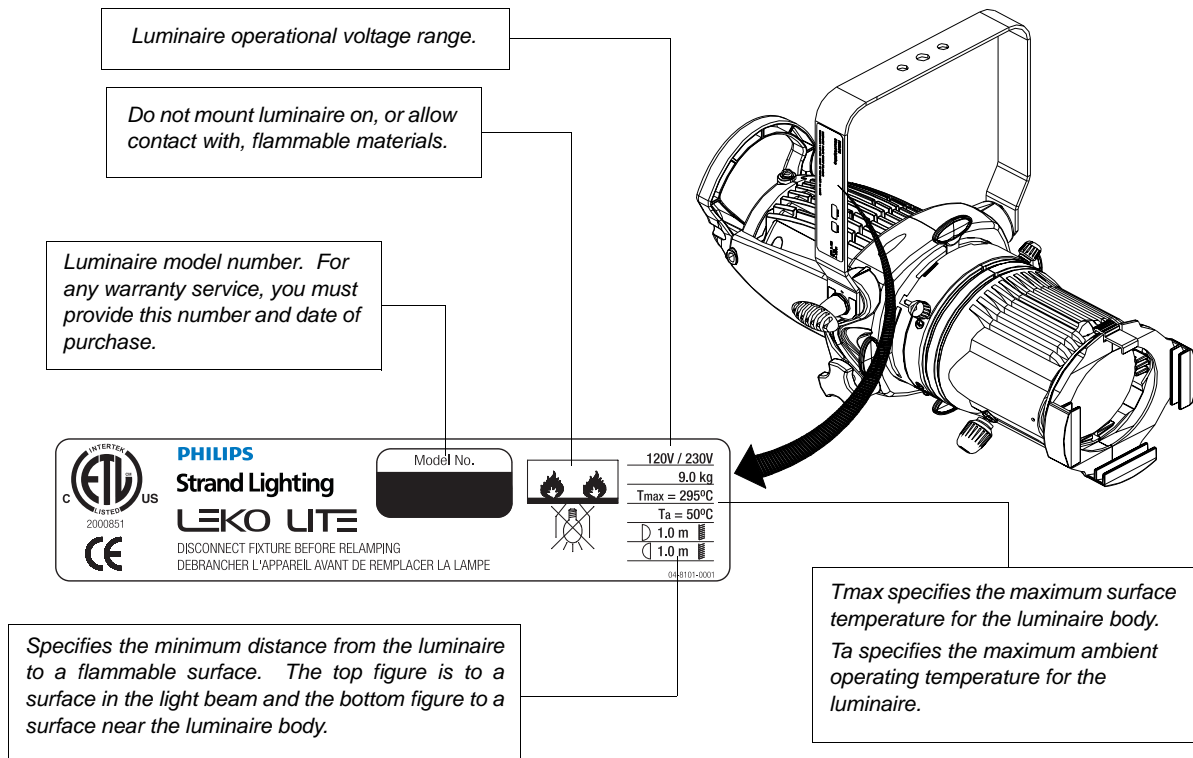


Figure 1: Luminaire Warning Label

Compliance

All LEKO LITE Luminaires are cETLus listed and conform to all applicable CE requirements. You should adhere to all local and national safety requirements and codes when mounting and using the LEKO LITE Luminaire.



INSTALLATION AND SET UP

1. Power Requirements

LEKO LITE Luminaires are designed to operate at either 115 volts AC or 240 volts AC only. If the luminaire was purchased without a factory-installed connector, see ["Connecting Power" on page 8](#) as a guide for connector installation.



WARNING! Luminaire lamp must match the connected input voltage (see ["LEKO LITE Luminaire Lamps" on page 4](#) for available lamp types).

2. Lamp Installation

Lamping and relamping is quick and easy. All lamping should be done with the power removed from the luminaire. Great care should be used when handling the lamp.



WARNING! Remove all power from luminaire before installing lamp or performing any service. Allow unit to cool before servicing. Only use specified / approved lamps at the correct voltage with luminaire.



CAUTION: Wear cotton gloves or other covering while handling and installing lamp. Touching lamp glass with bare fingers will leave oil and may cause the lamp to explode or reduce lamp life. Clean lamp with isopropyl alcohol if any finger prints or oils are on the lamp.

To install a lamp into luminaire:

Step 1. At rear of luminaire, swing open lamp access panel.

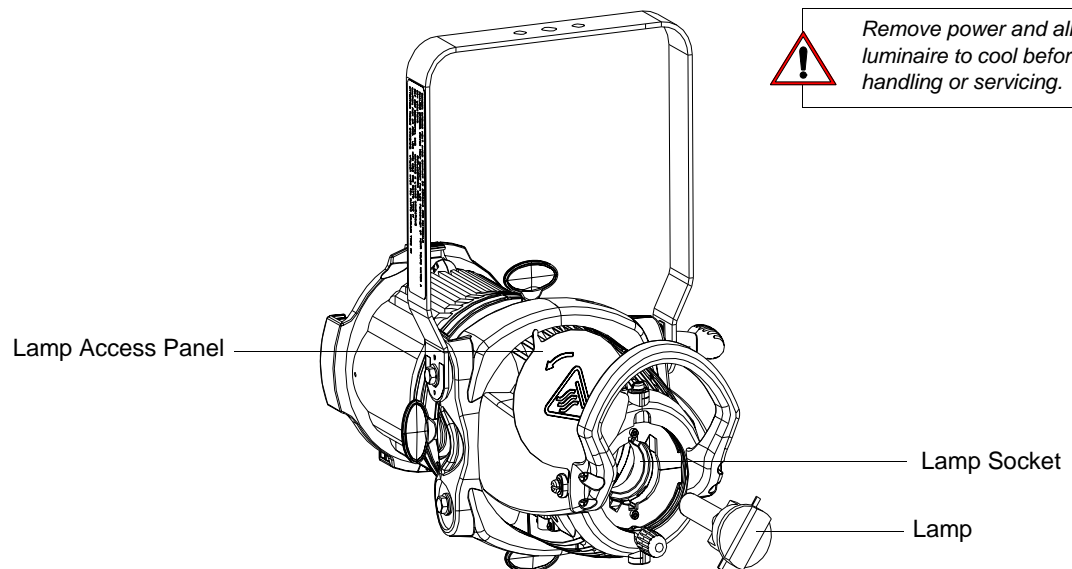


Figure 3: Installing a Lamp

Step 2. Align lamp pins with lamp holder.

Step 3. Slide lamp into lamp holder.

Step 4. Lock lamp into position by gently turning lamp clockwise in lamp holder until it snaps into place.

Step 5. Close lamp access panel.

Step 6. Connect power, adjust beam distribution and focus as desired. See ["FOCUS AND BEAM ADJUSTMENTS" on page 10](#) for more information.

3. Connecting Power

The unit is supplied with a 39-inch (1 meter) AC input cable. If a factory connector was not ordered, Table 1 describes how to connect power to your LEKO LITE Luminaire. Field wiring of the LEKO LITE Luminaire is straight forward. The following wiring scheme is required:

Table 1: LEKO LITE Luminaire AC Input Wiring

Wire Color	Purpose
Black	Main / Line (120 to 240VAC)
White	Neutral
Green/Yellow	Ground



WARNING! Risk of Fire or Injury! LEKO LITE Luminaires must be grounded per local and/or national codes. Any installed connector must have the required cord grip and be rated at or above the voltage and wattage or voltampere values marked on the luminaire.

4. Mounting



WARNING! Before attempting any installation or service, disconnect all power at power source. Dimming the luminaire does not disconnect power. Installation and service should only be performed by a trained and qualified professional.

Using Supplied C-Clamp

As illustrated in [Figure 4](#), at yoke assembly, thread clamp mounting bolt (with washer installed) through center clamp mounting hole at top of yoke, install another washer, then thread bolt into clamp. Securely tighten bolt into clamp (but do not overtighten).

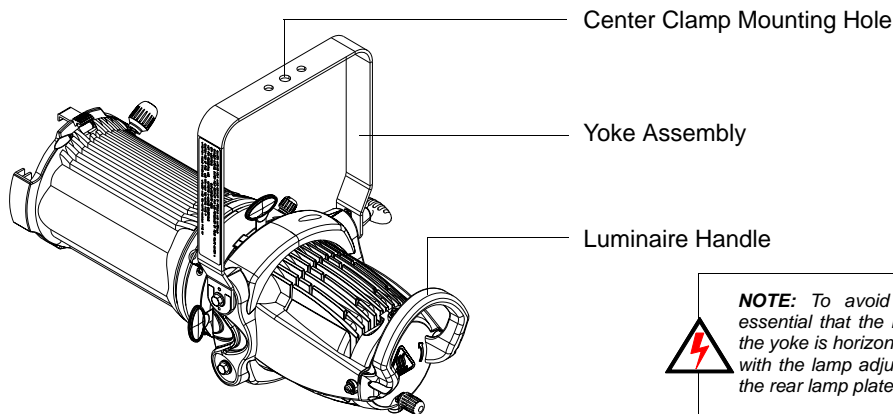


Figure 4: Luminaire Mounting

To mount on a telescopic stand, reverse the yoke under the luminaire and bolt to stand. Please note luminaire orientation (see note in [Figure 4](#)).

Safety Cable

A safety cable* MUST always be used when rigging luminaires on bars, truss, etc. A safety cable should be routed through both the luminaire handle and yoke assembly. You should always consult and follow all local and national codes and regulations for mounting and installation of luminaire.

Note: *Safety cables are sold separately and available from Philips Strand Lighting. Refer to "[LEKO LITE Luminaire Clamps & Safety Cable](#)" on page 4 for part numbers.

5. Pan and Tilt Adjustments



WARNING! When adjusting the luminaire's position, it is important to wear protective gloves. The luminaire produces extreme heat and all surfaces could cause serious burns if touched.

Pan Adjustment

The pan adjustment of a LEKO LITE luminaire is achieved by loosening the yoke bolt or yoke bolt set screw of the securing clamp attached to the luminaire's yoke assembly. Loosen the bolt or set screw, set the luminaire to the desired position and retighten.

Tilt Adjustment

LEKO LITE Luminaires offer variable tilt settings. The unit can be set at a specific angle (in relation to its mounting position) or at an angle between 0 to 90 degrees. When the yoke is in the position shown in [Figure 5](#), you have full range access to shutters the gate etc. If you flip the yoke over some access is reduced but the over all volume the luminaire takes up is reduced. This is particularly useful in tightly hung lighting positions or in theatres with low grids.

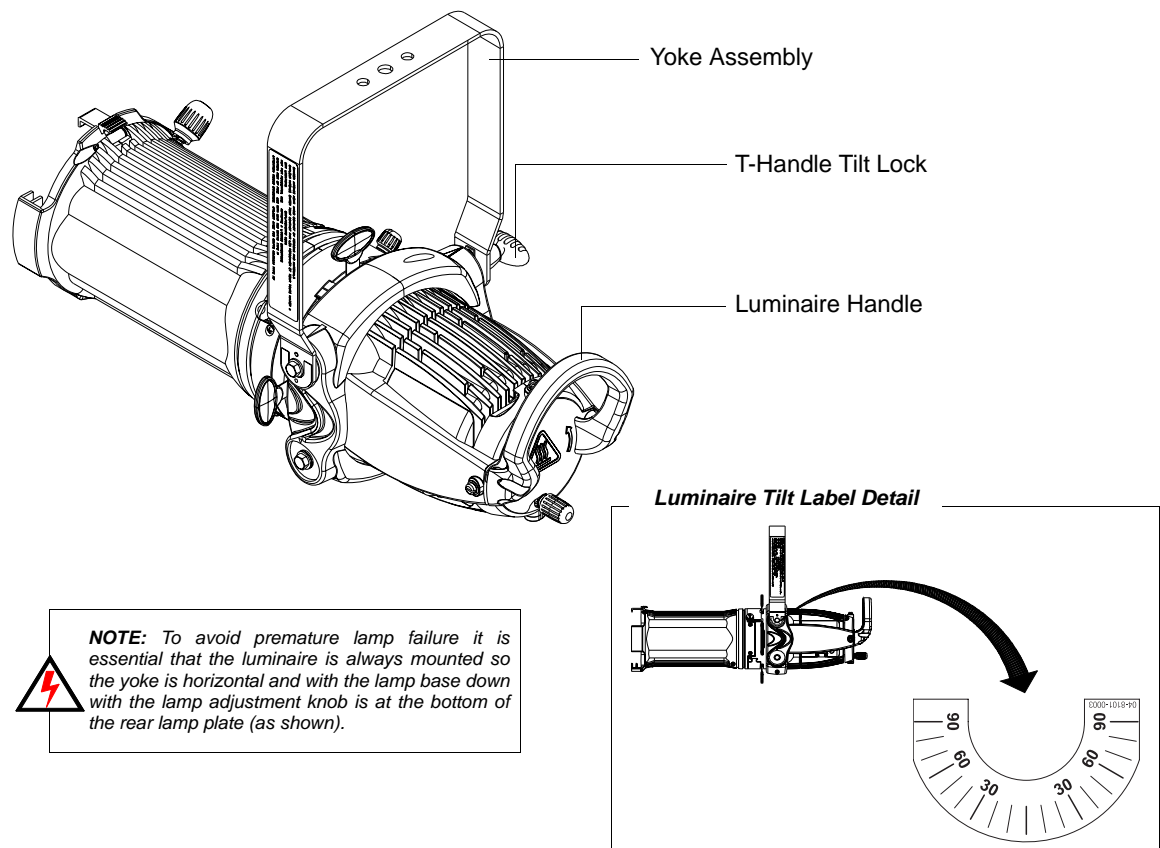


Figure 5: Luminaire Tilt Adjustment

To adjust and set tilt angle of the luminaire:

- Step 1. Mount luminaire in desired location (see "[Mounting](#)" on page 8 for more information).
- Step 2. Loosen, but do not remove, T-Handle Tilt Locks at base of yoke assembly as shown in [Figure 5](#).
- Step 3. Position luminaire to desired position.
- Step 4. Retighten T-Handle Tilt Locks to set position.

FOCUS AND BEAM ADJUSTMENTS

1. Variable Beam Angle Models

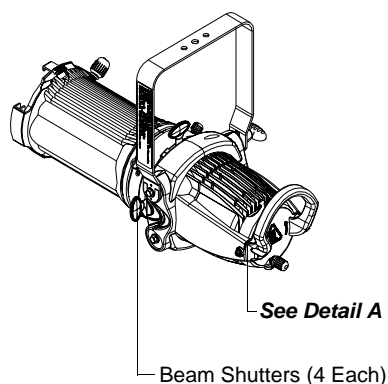


CAUTION: When adjusting the luminaire's focus or beam distribution, it is important to wear protective gloves. The luminaire produces extreme heat and all surfaces could cause serious burns if touched.

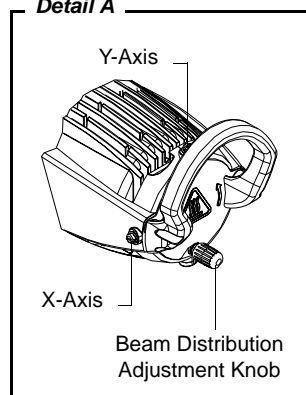
Light Field Optimization

Before adjusting beam focus, the luminaire's light field should be adjusted for optimum performance (Peak Field or Flat Field). The Beam Distribution Adjustment Knob moves the lamp in and out of the reflector until light distribution is set as desired. The X and Y-Axis adjustments provide left/right and up/down adjustments to the reflector in relation to the lamp.

Beam Distribution Adjustment



Detail A



Beam Focus Adjustment

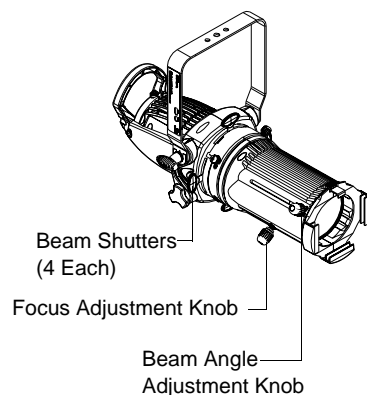


Figure 6: Variable Beam Models - Beam Adjustments

To optimize luminaire light field (beam distribution):

- Step 1. Make sure all frame shutters are open (out of beam path).
- Step 2. Using X-Axis Adjustment, Y-Axis Adjustment, and Beam Distribution Adjustment Knob (as indicated in [Figure 6](#)) set beam distribution as desired. Note, X and Y-Axis adjustments require the use of a flat-head screwdriver.

Beam Angle and Focus Adjustments

Variable Beam Angle models have both angle and focus adjustments.

To adjust beam angle and focus:

- Step 1. Optimize light field before adjusting beam angle and focus. See procedure in "[Light Field Optimization](#)" in previous section.
- Step 2. Make sure all frame shutters are open (out of beam path).
- Step 3. Loosen Beam Angle Adjustment Knob as shown in [Figure 6](#).
- Step 4. Move along forward (or back) until beam angle is set as desired
- Step 5. Hand-tighten Beam Angle Adjustment Knob to lock position.
- Step 6. Loosen Focus Adjustment Knob.
- Step 7. Move along forward (or back) until beam focus is set as desired
- Step 8. Hand-tighten Focus Adjustment Knob to lock position.

Note: When using high-output, high performance lamps, it is possible that a combination of focus, beam angle and color gel type may result in reduced gel life. It is advised to use the 5-inch Gel Frame Extender part number 18147 (sold separately - see "[LEKO LITE Luminaire Frames / Gobo Holders / Iris](#)" on page 4).

2. Fixed Beam Angle Models



CAUTION: When adjusting the luminaire's focus or beam distribution, it is important to wear protective gloves. The luminaire produces extreme heat and all surfaces could cause serious burns if touched.

Light Field Optimization

Before adjusting beam focus, the luminaire's light field should be adjusted for optimum performance (Peak Field or Flat Field). The Beam Distribution Adjustment Knob moves the lamp in and out of the reflector until light distribution is set as desired. The X and Y-Axis adjustments provide left/right and up/down adjustments to the reflector in relation to the lamp.

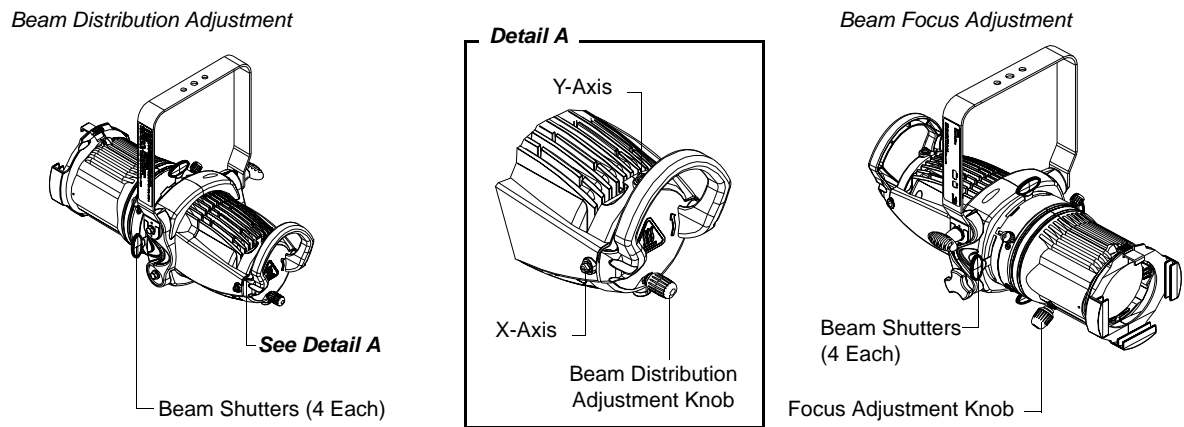


Figure 7: Fixed Beam Models - Beam Adjustments

To optimize luminaire light field (beam distribution):

- Step 1. Make sure all frame shutters are open (out of beam path).
- Step 2. Using X-Axis Adjustment, Y-Axis Adjustment, and Beam Distribution Adjustment Knob (as indicated in [Figure 7](#)) set beam distribution as desired. Note, X and Y-Axis adjustments require the use of a flat-head screwdriver.

Beam Angle and Focus Adjustments

Fixed Beam Angle models have hard/soft focus adjustments.

To adjust beam angle and focus:

- Step 1. Optimize light field before adjusting beam angle and focus. See procedure in "[Light Field Optimization](#)" in previous section.
- Step 2. Make sure all frame shutters are open (out of beam path).
- Step 3. Loosen Focus Adjustment Knob as shown in [Figure 7](#).
- Step 4. Move along forward (or back) until beam focus is set as desired
- Step 5. Hand-tighten Focus Adjustment Knob to lock position.

Note: When using high-output, high performance lamps, it is possible that a combination of focus, beam angle and color gel type may result in reduced gel life. It is advised to use the 5-inch Gel Frame Extender part number 18147 (sold separately - see "[LEKO LITE Luminaire Frames / Gobo Holders / Iris](#)" on page 4).

3. Beam Shutter Operation



CAUTION: When adjusting the luminaire's beam shutter, it is important to wear protective gloves. The luminaire produces extreme heat and all surfaces could cause serious burns if touched.

Each LEKO LITE Luminaire is equipped with four independent shutters (as shown in [Figure 8](#)) to block or shape light as desired. After the luminaire is installed and positioned, move the shutters in or out as required.

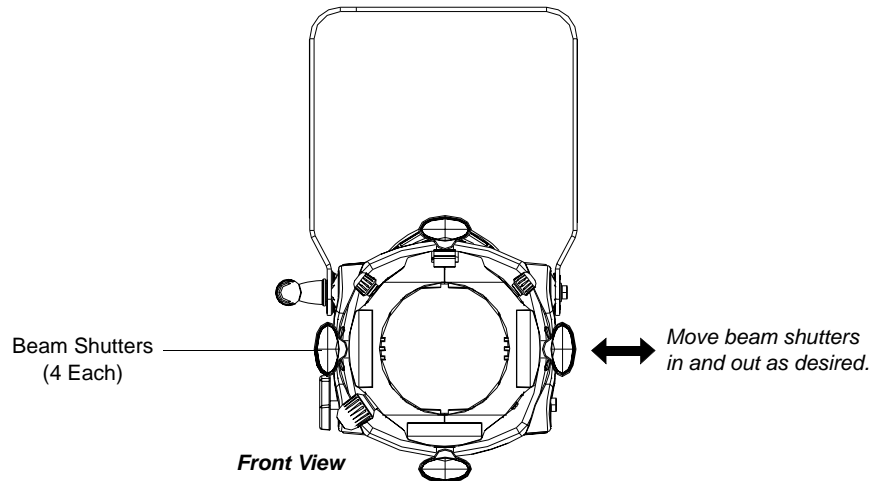


Figure 8: LEKO LITE Luminaire Beam Shutters

4. Gobos

Each LEKO LITE Luminaire is capable of holding two gobo holders, each containing one "B" sized glass or steel gobo. Note, LEKO LITE Luminaires are not supplied with gobo holders. Gobo holders can be purchased from your local Philips Strand Lighting Authorized Dealer. For more information, refer to "[LEKO LITE Luminaire Frames / Gobo Holders / Iris](#)" on page 4.

To install or change a gobo:

- Step 1. As shown in [Figure 9](#), loosen, but do not remove, two retaining knobs that secure gobo access panel. Slide open gobo access panel.
- Step 2. Install gobo into gobo holder in desired orientation.
- Step 3. Slide gobo holder into luminaire gobo slot.
- Step 4. Close gobo access door. Make sure gobo holder handle fits inside one of two slots in gobo access panel.
- Step 5. Hand tighten gobo access panel retaining knobs.

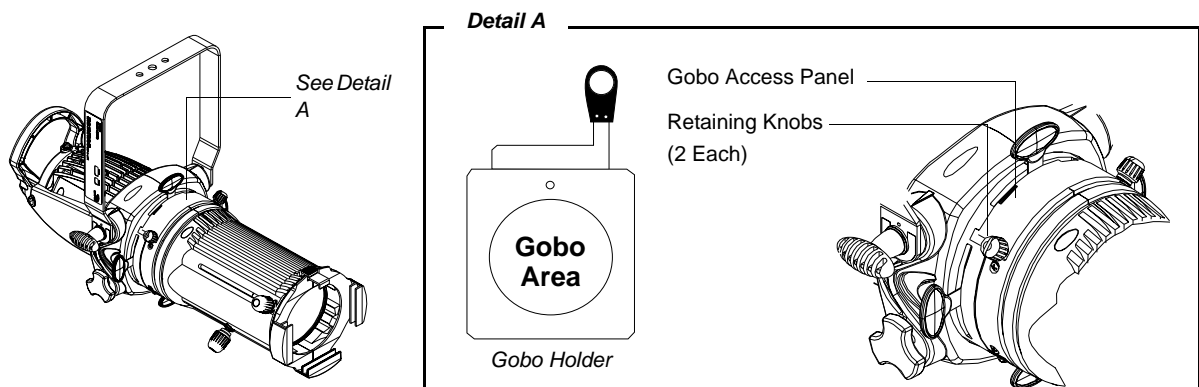


Figure 9: LEKO LITE Luminaire Gobo Holder and Gobo Installation

MAINTENANCE AND CARE

1. Before Cleaning

- All cleaning should be performed with power completely removed from the luminaire.
- Never remove protective covers when luminaire is powered.
- Wear appropriate protective eye wear and gloves when cleaning the fixture.

All service and maintenance, other than described herein, should be performed by a qualified technician or Authorized Service Center.



WARNING! THE LUMINAIRE PRODUCES EXTREME HEAT AND CAN BURN IF TOUCHED WITH BARE HANDS. Allow unit to cool before servicing.

2. Cleaning

Additional care needs to be taken with the protective coating on the luminaire's reflector.

The following is a list of cleaning materials required to care for your LEKO LITE Luminaire:

- Lint free lens tissue
- Lint or powder free gloves
- Reagent grade isopropyl alcohol*
- A mild soap solution.

Note: *Reagent grade isopropyl alcohol is good to use on the luminaire's optics with anti-reflection coatings.

If the lens is still dirty after using isopropyl alcohol, for instance if fingerprints or oil is just redistributed and not cleaned off the optic, then a mild soap and water solution can be used to gently wash the lens. Repeat the cleaning with isopropyl alcohol to eliminate streaks and soap residue.



WARNING! Under no circumstances should ammonia-based cleaners, acetone, or other harsh solvents be used on or near the LEKO LITE Luminaire. These types of cleaners or solvents can permanently damage the optics or housings of the fixture.

If you have any questions regarding the use or care of your LEKO LITE Luminaire, please contact Philips Strand Lighting technical support or your local Authorized Dealer.

FEATURES AND SPECIFICATIONS

1. Standard Features

LEKO LITE luminaires offer excellent light output, superb distribution and the smoothest soft edge while maintaining beam size for sharp gobo, edge and shutter focus.

The LEKO LITE luminaire contains the following standard features:

- Precision optical system with high-light output.
- Multi-faceted dichroic glass reflector for maximum output performance.
- Cool-beam operation for extended gobo, shutter, and gel life.
- X, Y, and Z axis beam peak/flat field adjustment for optimum performance.
- Fixed beam models available in 5, 10, 19, 26, 36, and 50-degree beam angles.
- Variable beam models available in 15 to 32-degree and 23 to 50-degree.
- Easy lamp change, using Philips FastFit technology, with out the use of tools.
- Lamp options - 575W, 750W (115V) or 800W (240V) Philips Hi-Brite, FastFit lamps.
- Wide gate will fit 2 gobo holders, including glass gobo holder, drop-in iris or rotating gobo holder.
- Three plane, four independent beam shutters for triangular shutter cuts.
- Smooth 360-degree body rotation for quick and easy gobo and shutter positioning.
- 120V or 240V operation.
- ETL/cETL Listed and CE Marked.

2. Standard Specifications

Source*:	Hi-Brite, FastFit 575W 115V Long Life Lamp Hi-Brite, FastFit 750W 115V Lamp Hi-Brite, FastFit 800W 240V Lamp
Input Voltage:	120V or 240V (depending on lamp used)
Frequency:	50/60Hz
Ratings:	Up to 800W (max.)
Ambient Temperature:	0 to 45 degrees C (32 to 113 degrees F)
Humidity:	5%-95% Non condensing
Cooling:	Natural Convection
Construction:	Die cast aluminum housing with black epoxy powder coat. Stainless steel shutters.
Gate:	Plated steel
Gobo Size:	B Size (note, gobo holders sold separately)
Color Frame Sizes:	6-1/4" x 6-1/4" (models: 11430C, 11440C, 11520C, 11530C, 11540C, 11550C) 12" x 12" (models: 11500C) 16" x 16" (models: 11510C)
Shutters:	Included, four independent shutters on three planes
Lenses:	Crown glass coated aspheric lens
Reflector:	Multi-faceted, dichroic glass reflector
Weight:	11430C: 20.4 lbs / 9.3 kg 11440C: 20.2 lbs / 9.2 kg 11500C: 23.5 lbs / 10.7 kg 11510C: 19.7 lbs / 8.9 kg 11520C: 18.9 lbs / 8.6 kg 11530C: 18.9 lbs / 8.6 kg 11540C: 18.9 lbs / 8.6 kg 11550C: 18.9 lbs / 8.6 kg
Compliance:	ETL / cETL Listed (North America models) and CE Marked (International models)

**As ordered by customer with luminaire.*

Note: Common model specifications shown. For specific model specifications, features, and accessories, refer to the product specification sheet or visit the Philips Strand Lighting web site at www.strandlighting.com for more details.

3. Product Dimensions

Models: 11520C, 11530C, 11540C, 11550C

Model	LEKO LITE Luminaire Body					f	g*	h*
	a	b	c	d	e			
11520C	11.23 (285.2)	9.96 (253.0)	10.39 (263.9)	16.38 (416.1)	8.81 (223.8)	6.95 (176.5)	13.61 (345.7)	23.05 (585.5)
11530C	11.23 (285.2)	9.96 (253.0)	10.39 (263.9)	16.38 (416.1)	8.81 (223.8)	6.95 (176.5)	13.61 (345.7)	23.05 (585.5)
11540C	11.23 (285.2)	9.96 (253.0)	10.39 (263.9)	16.38 (416.1)	8.81 (223.8)	6.95 (176.5)	13.61 (345.7)	23.05 (585.5)
11550C	11.23 (285.2)	9.96 (253.0)	10.39 (263.9)	16.38 (416.1)	8.81 (223.8)	6.95 (176.5)	13.61 (345.7)	23.05 (585.5)

Note: * Dimension shown is with lens fully extended. Lens travel is 2.5-inches (63.5 mm).

Models: 11430C, 11440C

Model	LEKO LITE Luminaire Body					f	g	h
	a	b	c	d	e			
11430C	11.23 (285.2)	9.96 (253.0)	10.39 (263.9)	16.38 (416.1)	8.81 (223.8)	6.95 (176.5)	12.90 (327.7)	22.34 (567.4)
11440C	11.23 (285.2)	9.96 (253.0)	10.39 (263.9)	16.38 (416.1)	8.81 (223.8)	6.95 (176.5)	14.57 (370.1)	24.01 (609.9)

Models: 11510C

Model	LEKO LITE Luminaire Body					f	g*	h*
	a	b	c	d	e			
11510C	11.23 (285.2)	9.96 (253.0)	10.39 (263.9)	16.38 (416.1)	8.81 (223.8)	12.48 (317.0)	20.35 (516.9)	29.77 (756.2)

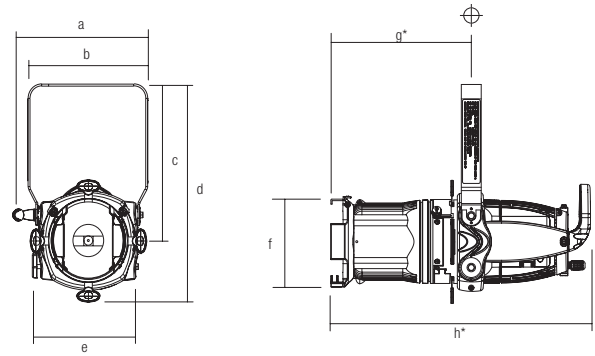
Note: * Dimension shown is with lens fully extended. Lens travel is 2.5-inches (63.5 mm).

Models: 11500C

Model	LEKO LITE Luminaire Body					f	g*	h*
	a	b	c	d	e			
11500C	11.23 (285.2)	9.96 (253.0)	10.39 (263.9)	16.38 (416.1)	8.81 (223.8)	16.46 (418.1)	33.37 (847.6)	42.81 (1,087.4)

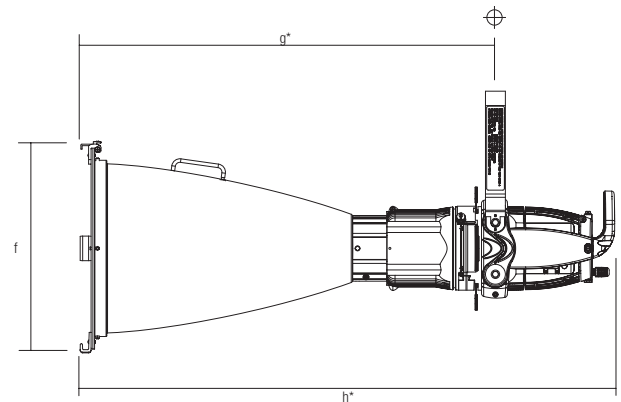
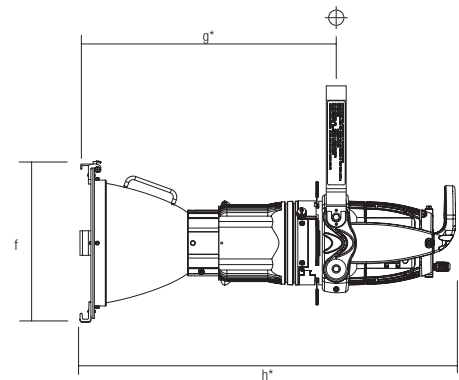
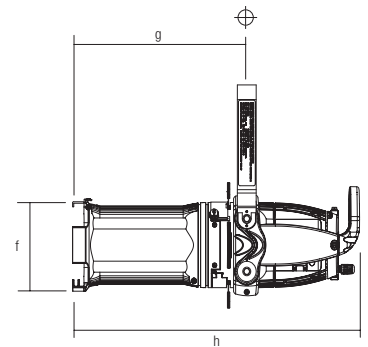
Note: * Dimension shown is with lens fully extended. Lens travel is 2.5-inches (63.5 mm).

Note: All dimensions shown are in inches (mm).



LEKO LITE Luminaire Body
(Same for all models)

Note, lens not shown for clarity.



Notes

Notes

PHILIPS

Strand Lighting

Strand Lighting
Dallas
10911 Petal Street
Dallas, TX 75238
Tel: +1 214-647-7880
Fax: +1 214-647-8031

Strand Lighting
New York
267 5th Ave, 4th Floor
New York, NY 10016
Tel: +1 212-213-8219
Fax: +1 212-532-2593

Strand Lighting Asia Limited
Unit C, 14/F, Roxy Industrial Centre
No. 41-49 Kwai Cheong Road
Kwai Chung, N.T., Hong Kong
Tel: +852 2796 9786
Fax: +852 2798 6545

Strand Selecon
Auckland
19-21 Kawana Street
Northcote, Auckland 0627
New Zealand
Tel: +64 9 481 0100
Fax: +64 9 481 0101

Strand Lighting
Europe
Rondweg zuid 85
Winterswijk 7102 JD
The Netherlands
Tel: +31 (0) 543-542516

www.strandlighting.com