

SECCED®

2013/14

Reach Plus System

NEW

Superman Camcrane 9.6m

NEW





SECCED® About Us

Beijing United Victory Co., Ltd is the leading manufacturer of camera support equipment in China. The company has reached the advanced international standard in R&D, marketing, production and service.

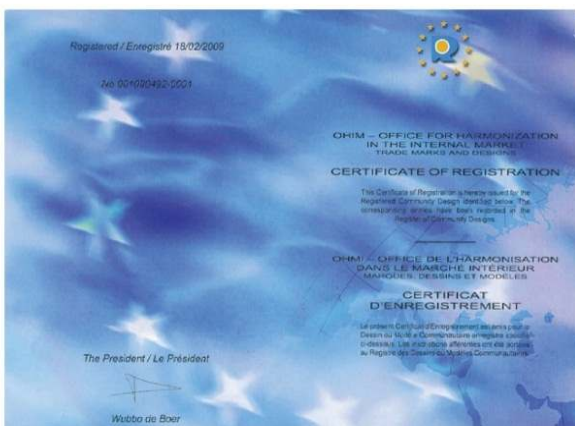
Beijing United Victory Co., Ltd is proud to manufacture high quality products at the most competitive price. The range of products are extensive, including fluid head, tripod and cranes. The products offer outstanding support for DV, HDV, ENG and EFP cameras. The products are widely used in domestic and international broadcasting industry.



Our business philosophy revolves around Originality, Sincerity and Challenge. Originality stands for giving focus to the need of our customers and continuously provide high quality service. Sincerity stands for abiding by our commitment. In addition Challenge stands for not being afraid of making mistakes and working toward goals in the spirit of not being afraid of trial and error and continue to make pioneering advances in camera supports technology.

We enjoy a solid relationship with all our partners, such as our suppliers, distributors and customers which enable us to secure with them the good quality, the most competitive price and reliable delivery. Our growth is based on the growth of our partners. We are committed to earning the trust of our customers and growing along with them. We believe if we can make any victory, it must be a united victory of all our partners.

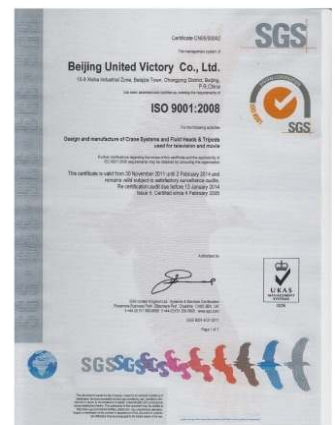
Beijing United Victory Co., Ltd, a company focused on our customers. Our key to success is to create the continuous value for our customer.



Our fluid heads have registered Community Design in EU. The registered No.001090492-0001 has been recorded.



CE Certificate



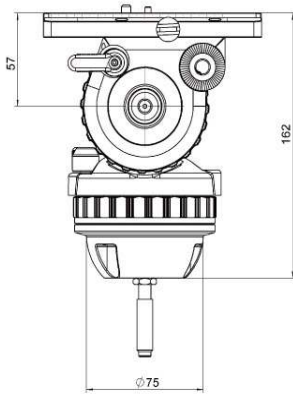
ISO9001 Certificate



SECCED®

REACH Plus 1 Head (SC-DV6/75RP)

MEASUREMENTS IN MM



half ball with screw

Weight: 2.5 kg/5.5 lbs
 Payload range: 0-4.9 kg/0-10.8 lbs
 Counterbalance: 0-7 steps
 Balance plate/Sliding range: 110mm/4.3"

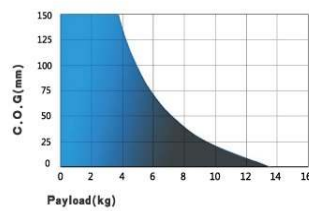
Grades of tilt drag: 0-3 steps
 Grades of pan drag: 0-3 steps
 Tilt range: -75°/+90°
 Tripod fitting: 75mm bowls

► PAYLOAD TABLE

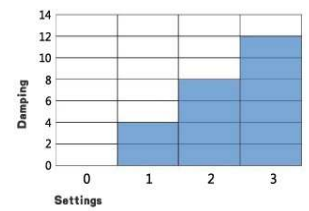
C.O.G*	Min. kg/lb	Max. kg/lb
50/2	0/0	7.2/15.9
75/3	0/0	5.8/12.9
100/4	0/0	4.9/10.8
125/5	0/0	4.2/9.4

*Center of gravity height (mm/in)

► PAYLOAD DIAGRAM



► DAMPING



Optional Accessories



Bowl Clamp(SC-HL75)



Touch & Go Plate (SC-TG75S)



Quick Release Adapter
(SC-QR75S)



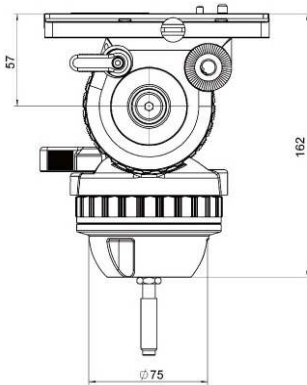
Pan Bar Left(SC-PB10)
Pan Bar Right(SC-PB10)



Pan Bar Left(SC-PB15)
Pan Bar Right(SC-PB15)

REACH Plus 2 Head (SC-DV10/75RP)

MEASUREMENTS IN MM



half ball with screw

Weight: 3 kg/6.6 lbs
 Payload range: 0-9.6 kg/0-21.1 lbs
 Counterbalance: 0-7 steps
 Balance plate/Sliding range: 110mm/4.3"

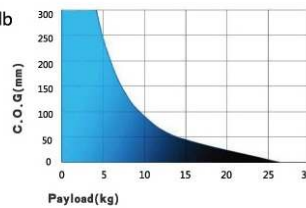
Grades of tilt drag: 0-5 steps
 Grades of pan drag: 0-5 steps
 Tilt range: -75°/+90°
 Tripod fitting: 75mm bowls

► PAYLOAD TABLE

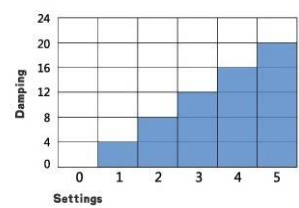
C.O.G*	Min. kg/lb	Max. kg/lb
75/3	0/0	11.4/25
100/4	0/0	9.6/21.1
125/5	0/0	8.2/18.2
150/6	0/0	7.2/16

*Center of gravity height (mm/in)

► PAYLOAD DIAGRAM



► DAMPING

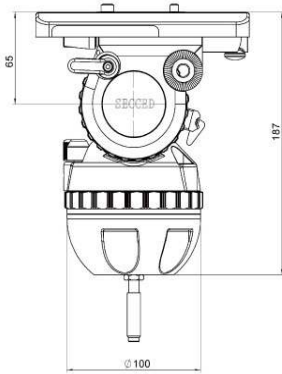


Optional Accessories



REACH Plus 3 Head (SC-V15/100RP)

MEASUREMENTS IN MM



half ball with screw

Weight: 3.8 kg/8.4 lbs
 Payload range: 2.54-17 kg/5.6-37.5 lbs
 Counterbalance: 1-8 steps
 Balance plate/Sliding range: 70mm/2.75"
 Grades of tilt drag: 0-7 steps

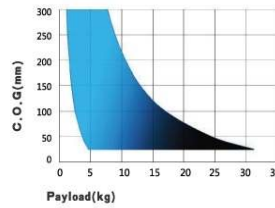
Grades of pan drag: 0-7 steps
 Tilt range: -75°/+90°
 Tripod fitting: 100mm bowls

▶ PAYLOAD TABLE

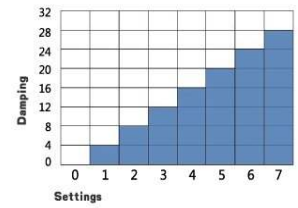
C.O.G*	Min. kg/lb	Max. kg/lb
75/3	3/6.6	20/44.2
100/4	2.54/5.6	17/37.5
125/5	2.2/4.86	14.8/32.6
150/6	1.95/4.3	13/28.8

*Center of gravity height (mm/in)

▶ PAYLOAD DIAGRAM



▶ DAMPING



Counterbalance adjustment.



Optional Accessories



Bowl Clamp(SC-HL100)



Touch & Go Plate (SC-TG75M)



Sliding Plate (SC-SP100S)



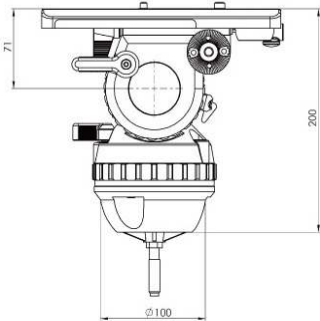
Pan Bar Left (SC-PB10)
 Pan Bar Right (SC-PB10)



Pan Bar Left (SC-PB15)
 Pan Bar Right (SC-PB15)

REACH Plus 4 Head (SC-V20/100RP)

MEASUREMENTS IN MM



Weight: 5.45 kg/12 lbs
 Payload range: 3-32 kg/6.6-70.6 lbs
 Counterbalance: 1-8 steps
 Balance plate/Sliding range: 120mm/4.72"
 Grades of tilt drag: 0-7 steps

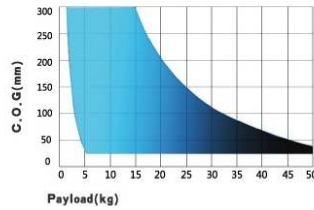
Grades of pan drag: 0-7 steps
 Tilt range: -75°/+90°
 Tripod fitting: 100mm bowls

▶ PAYLOAD TABLE

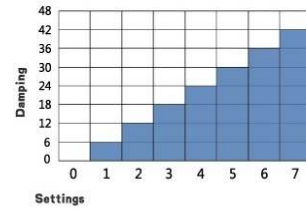
C.O.G*	Min. kg/lb	Max. kg/lb
100/4	3/6.6	32/70.6
125/5	2.6/5.8	27.9/61.6
150/6	2.32/5.12	24.8/54.6
175/7	2.08/4.6	22.2/49.05
200/8	1.9/4.2	20.2/44.5

*Center of gravity height (mm/in)

▶ PAYLOAD DIAGRAM



▶ DAMPING



half ball with screw



Optional Accessories



Bowl Clamp(SC-HL100)



Touch & Go Plate (SC-TG100)



Sliding Plate (SC-SP100M)

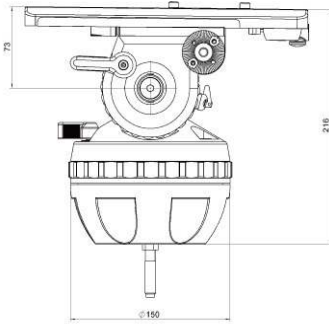


Pan Bar Left(SC-PB20)

Pan Bar Right(SC-PB20)

REACH Plus 5 Head (SC-V25/150RP)

MEASUREMENTS IN MM



half ball with screw(integrated flat base)

Weight: 7.03 kg/15.5 lbs
 Payload range: 3-44 kg/6.6-97.02 lbs
 Counterbalance: 1-8 steps
 Balance plate/Sliding range: 120mm/4.72"
 Grades of tilt drag: 0-7 steps

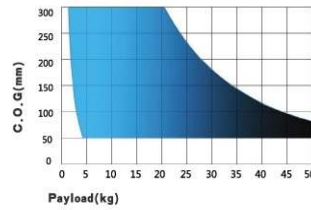
Grades of pan drag: 0-7 steps
 Tilt range: -75°/+90°
 Tripod fitting: 150mm bowls

▶ PAYLOAD TABLE

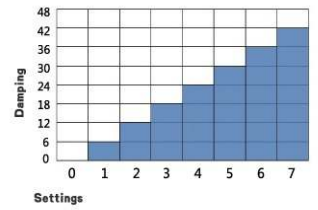
C.O.G*	Min. kg/lb	Max. kg/lb
100/4	3/6.6	44/97.02
125/5	2.6/5.8	38.4/84.8
150/6	2.3/5.1	34.1/75.3
175/7	2.1/4.6	30.7/67.7
200/8	1.9/4.2	27.9/61.5

*Center of gravity height (mm/in)

▶ PAYLOAD DIAGRAM



▶ DAMPING



Counterbalance adjustment



Optional Accessories



Bowl Clamp (SC-HL100)



Touch & Go Plate (SC-TG150)



Sliding plate (SC-SP150M)

(longer sliding range from 120mm/4.72" to 180mm/ 7.08")



Sliding Plate (SC-SP150S)

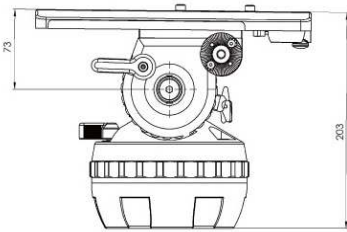


Pan Bar Left (SC-PB20)

Pan Bar Right (SC-PB20)

REACH Plus 6 Head (SC-V25/F150RP)

MEASUREMENTS IN MM



Weight: 7.5 kg/16.5 lbs
 Payload range: 3-44 kg/6.6-97.02 lbs
 Counterbalance: 1-8 steps
 Balance plate/Sliding range: 180mm/ 7.08"
 Grades of tilt drag: 0-7 steps

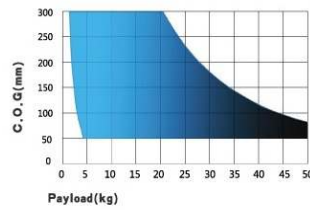
Grades of pan drag: 0-7 steps
 Tilt range: -75°/+90°
 Tripod fitting: 150mm flat base

PAYLOAD TABLE

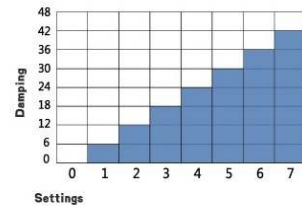
C.O.G	Min. kg/lb	Max. kg/lb
100/4	3/6.6	44/97.02
125/5	2.6/5.8	38.4/84.8
150/6	2.3/5.1	34.1/75.3
175/7	2.1/4.6	30.7/67.7
200/8	1.9/4.2	27.9/61.5

*Center of gravity height (mm/in)

PAYLOAD DIAGRAM



DAMPING



flat base



Safety lock



Counterbalance adjustment

Optional Accessories



Bowl Clamp(SC-HL100)



Touch & Go Plate (SC-TG150)



Sliding plate (SC-SP150M)

(longer sliding range from 120mm/4.72" to 180mm/ 7.08")



Pan Bar Left(SC-PB20)

Pan Bar Right(SC-PB20)

REACH Plus Series Fluid Heads

	REACH Plus 1 Head	REACH Plus 2 Head	REACH Plus 3 Head	REACH Plus 4 Head	REACH Plus 5 Head	REACH Plus 6 Head
Head	SC-DV6/ 75RP	SC-DV10/ 75RP	SC-V15/ 100RP	SC-V20/ 100RP	SC-V25/ 150RP	SC-V25/ F150RP
Payload range	0-4.9 kg / 0-10.8 lbs	0-9.6kg/ 0-21.1 lbs	2.54-17kg/ 5.6-37.5 lbs	3-32 kg/ 6.6-70.6 lbs	3-44kg/ 6.6-97.02 lbs	3-44kg/ 6.6-97.02 lbs
Sliding range	110mm/ 4.3"	110mm/ 4.3"	70 mm/ 2.75"	120 mm/ 4.72"	120 mm/ 4.72"	180 mm/ 7.08"
Tilt range	-75° /+90°	-75° /+90°	-75° /+90°	-75° /+90°	-75° /+90°	-75° /+90°
Temperature	-40/+70°C	-40/+70°C	-40/+70°C	-40/+70°C	-40/+70°C	-40/+70°C
Tripod fitting	75 mm	75 mm	100 mm	100 mm	150mm (Bowl base)	150mm Flat base
Counterbalance	0-7	0-7	1-8	1-8	1-8	1-8
Grades of Pan/Tilt	0-3	0-5	0-7	0-7	0-7	0-7
Camera fitting	1/4"screw Pin	1/4"screw Pin	1/4"screw 3/8"screw	1/4"screw 3/8"screw	1/4"screw 3/8"screw	1/4"screw 3/8"screw
Weight	2.5 kg/5.5 lbs	3 kg/6.6 lbs	3.8 kg/8.4 lbs	5.45 kg/12 lbs	7.0 kg/15.5 lbs	7.5 kg/16.5 lbs

SEC CED[®]

Tripods



SC-DV/AL75D

- Weight (With Ground Spreader): 3.65kg/8.05 lbs
- Max Payload: 20kg/44 lbs
- Height Range(With Ground Spreader): 51-147 cm/20.1"-59"
Height Range(With Off Ground Spreader):49-142cm/19.3"-55.9"
- Bowl Size: 75mm
- Transport Length:71cm/27.9"
- Extension: Double

Material: Aluminum

- ▶ Tripod Kit
- Reach Plus 1 Kit
- Reach Plus 2 Kit



			
Rubber Feet (SC-RF100)	Off Ground Spreader (SC-MS75)	Ground Spreader (SC-FS100)	Dolly (SC-Dolly 75H)

SC-DV/CF75D

- Weight (With Ground Spreader): 3.86kg/8.5 lbs
- Max Payload: 20kg/44 lbs
- Height Range(With Ground Spreader): 54-150 cm/21.3"-59"
Height Range(With Off Ground Spreader):49-142cm/19.3"-55.9"
- Bowl Size: 75mm
- Transport Length:71cm/27.9"
- Extension: Double

Material: Carbon Fiber

- ▶ Tripod Kit
 - Reach Plus 1 Kit
 - Reach Plus 2 Kit



SC-ENG/CF100D

- Weight (With Ground Spreader): 4.36kg/9.6 lbs
- Max Payload: 40kg/88 lbs
- Height Range(With Ground Spreader): 58-155 cm/22.8"-61"
Height Range(With Off Ground Spreader):55-151cm/21.6"-59.4"
- Bowl Size: 100mm
- Transport Length:75cm/29.5"
- Extension: Double

Material: Carbon Fiber

- ▶ Tripod Kit
- Reach Plus 3 Kit



SC-EFP/CF100D

- Weight (With Ground Spreader): 5kg/11 lbs
- Max Payload: 90kg/202.8 lbs
- Height Range(With Ground Spreader): 62-161 cm/24.4"-63.4"
Height Range(With Off Ground Spreader):59-157cm/23.2"-61.8"
- Bowl Size: 100mm
- Transport Length:78cm/30.7"
- Extension: Double

Material: Carbon Fiber

- ▣ Tripod Kit
Reach Plus 4 Kit



SC-EFP/CF150D

- Weight (With Ground Spreader): 5.4kg/11.9 lbs
- Max Payload: 95kg/209.4 lbs
- Height Range(With Ground Spreader): 64-160 cm/25.2"-63"
Height Range(With Off Ground Spreader):61-157cm/24"-61.8"
- Bowl Size: 150mm
- Transport Length:78cm/30.7"
- Extension: Double

Material: Carbon Fiber

- ▶ Tripod Kit
 - Reach Plus 5 Kit
 - Reach Plus 6 Kit



SECCED®

Reach Plus Kits



REACH Plus 1 Kit



Specification

Weight: 6.4 kg/14.1 lbs
Max Payload: 7.2 kg/15.8 lbs
Height Range: 66-162 cm/26" -63.8"
Bowl Diameter: 75 mm
Transport Length: 86 cm/33.8"

Configuration

Head: SC-DV6/75RP
Tripod: SC-DV/CF75D
Pan Bar: SC-PB10 (2 pcs)
Ground Spreader: SC-FS100
Soft Bag: SC-DVBAG75

Optional Accessories

Off Ground Spreader: SC-MS75
Rubber Feet: SC-RF100
Dolly: SC-Dolly 75H

REACH Plus 2 Kit



Specification

Weight: 6.8 kg/15 lbs
Max Payload: 11.4 kg/25.1 lbs
Height Range: 66-162 cm/26" -63.8"
Bowl Diameter: 75 mm
Transport Length: 86 cm/33.8"

Configuration

Head: SC-DV10/75RP
Tripod: SC-DV/CF75D
Pan Bar: SC-PB10 (2 pcs)
Ground Spreader: SC-FS100
Soft Bag: SC-DVBAG75

Optional Accessories

Off Ground Spreader: SC-MS75
Rubber Feet: SC-RF100
Dolly: SC-Dolly 75H

REACH Plus 3 Kit



Specification

Weight: 8.96 kg/19.7 lbs
Max Payload: 20 kg/44 lbs
Height Range: 75-172 cm/29.5"-67.7"
Bowl Diameter: 100 mm
Transport Length: 90 cm/35.4"

Configuration

Head: SC-V15/100RP
Tripod: SC-ENG/CF100D
Pan Bar: SC-PB15 (2 pcs)
Ground Spreader: SC-FS100
Soft Bag: SC-ENGBAG100

Optional Accessories

Off Ground Spreader: SC-MS100
Rubber Feet: SC-RF100
Dolly: SC-Dolly 100H

REACH Plus 4 Kit



Specification

Weight: 11.2 kg/24.7 lbs
Max Payload: 32 kg/70.6 lbs
Height Range: 81-180 cm/31.9"-70.8"
Bowl Diameter: 100 mm
Transport Length: 97 cm/38.2"

Configuration

Head: SC-V20/100RP
Tripod: SC-EFP/CF100D
Pan Bar: SC-PB20 (2 pcs)
Ground Spreader: SC-FS100
Soft Bag: SC-EFPBAG150

Optional Accessories

Off Ground Spreader: SC-MS100
Rubber Feet: SC-RF100
Dolly: SC-Dolly 100H

REACH Plus 5 Kit



Specification

Weight: 13 kg/28.7 lbs
Max Payload: 44 kg/97 lbs
Height Range: 85-180 cm/33.5"-70.8"
Bowl Diameter: 150 mm
Transport Length: 98 cm/38.6"

Configuration

Head: SC-V25/150RP
Tripod: SC-EFP/CF150D
Pan Bar: SC-PB20 (2 pcs)
Ground Spreader: SC-FS100
Soft Bag: SC-EFPBAG150

Optional Accessories

Off Ground Spreader: SC-MS100
Rubber Feet: SC-RF10
Dolly: SC-Dolly 100H

REACH Plus 6 Kit



Specification

Weight: 13.5 kg/29.7 lbs
Max Payload: 44 kg/97 lbs
Height Range: 86-182 cm/ 33.8"-71.6"
Bowl Diameter: 150 mm
Transport Length: 98 cm/ 38.6"

Configuration

Head: SC-V25/F150RP
Tripod: SC-EFP/CF150D
Pan Bar: SC-PB20 (2 pcs)
Ground Spreader: SC-FS100
Soft Bag: SC-EFPBAG150

Optional Accessories

Off Ground Spreader: SC-MS100
Rubber Feet: SC-RF100
Dolly: SC-Dolly 100H

REACH Plus Series Kit Configuration

Kit	REACH Plus 1	REACH Plus 2	REACH Plus 3	REACH Plus 4	REACH Plus 5	REACH Plus 6
Head	SC-DV6/75RP	SC-DV10/75RP	SC-V15/100RP	SC-V20/100RP	SC-V25/150RP	SC-V25/F150RP
Tripod	SC-DV/CF75D	SC-DV/CF75D	SC-ENG/CF100D	SC-EFP/CF100D	SC-EFP/CF150D	SC-EFP/CF150D
Pan Bar (2 pcs)	SC-PB10	SC-PB10	SC-PB15	SC-PB20	SC-PB20	SC-PB20
Ground Spreader	SC-FS100	SC-FS100	SC-FS100	SC-FS100	SC-FS100	SC-FS100
Soft Bag	SC-DVBAG75	SC-DVBAG75	SC-ENGBAG100	SC-EFPBAG150	SC-EFPBAG150	SC-EFPBAG150





SECCED[®]

Jibs & Cranes

Mini Traveler Crane

Arm Specification

Arm Reach	2.4m/7.8'
Max Lens Height (Tripod Not fully extended)	3.11m/10.2'
Min Lens Height	-0.09m/-0.30'
Tilt Range	-50° /53°



Remote Head Specification

Max. payload: 15kg/33lbs
 Max. speed: 360° in 5 sec
 Min. speed: 360° in 8 min
 Tilt range: ±720°
 Pan range: Unlimited
 Head weight: 4.64kg/10.23lbs
 Power input: AC95-265V or DC12-17V(Adaptor)
 Power output: DC13.5V

- SC-MiniJIBDV
- SC-MiniJIBENG
- SC-MiniJIBDV&ENG

Transportation

SC-MiniJIBDV	Weight: 40kg/88.2lbs

SC-MiniJIBENG	Weight: 40kg/88.2lbs

SC-MiniJIBDV&ENG	Weight: 40kg/88.2lbs



No.1 Flight Case
1330mmx400mmx400mm



No.2 Flight Case
600mmx450mmx220mm

Traveler Crane

Arm Specification

Reach	4.38m/14.4'
Max Lens Height (Tripod not fully extended)	4.69m/15.4'
Min Lens Height	-2.69m/-8.83'
Tilt Range	-70°~60°
Tripod Height Range	1.47~1.75m/4.8~5.7'



Remote Head Specification

Max. payload: 10kg/22lbs
 Max. speed: 360° in 5 sec
 Min. speed: 360° in 5 min
 Tilt range: ±720°
 Pan range: Unlimited
 Head weight: 4.64kg/10.23lbs
 Shipping Weight: 24kg/52.9lbs
 Power input: AC95-265V or DC12-17V(Adaptor)
 Power output: DC13.5V

- SC-TravelerJIBDV6*
- SC-TravelerJIBENG6*
- SC-TravelerJIBDV&ENG6*
- SC-TravelerJIBDV8*

Transportation

SC-TravelerJIBDV6	Weight: 85kg/187.4lbs

SC-TravelerJIBENG6	Weight: 85kg/187.4lbs

SC-TravelerJIBDV&ENG6	Weight: 87kg/191.8lbs

SC-TravelerJIBDV8	Weight: 92kg/202.8lbs



No.1 Flight Case
1330mmx400mmx400mm



No.2 Flight Case
600mmx450mmx220mm

NEW Superman Crane 9.6m (SC-SuperJIB 9.6)

9.6m Crane Arm Specification

Arm reach: 8.1m/26.6'
 Distance from column to end: 1.5m/4.9'
 Max. lens height: 6.9m/22.6'
 Min. lens height: 5.4m/17.7'
 Height of column (with tripod and dolly): 1.73m/5.7'
 Tilt range: -55°/45°
 Dolly width: 0.82m/2.69'
 Shipping weight: 222kg/489.4lbs

Remote Head Specification

Remote head specification
 Max. payload: 20kg/44.09lbs
 Max. speed: 360° in 5 sec
 Min speed: 360° in 5 min
 Tilt range: ±720°
 Pan range: Unlimited
 Head weight: 4.64kg/10.23lbs
 Shipping weight: 38.5kg/84.88lbs
 Power input: AC95-265V or DC12-17V(Adaptor)
 Power output: DC 13.5V



Balance pole



Bigger wheels

1330mmx400mmx400mm



600mmx450mmx220mm

Transportation

SC-SUPERJIB 9.6

Weight: 222kg/489.4lbs



Superman Crane 12m (SC-SuperJIB 12)

12m Crane Arm Specification

Arm reach: 10m/32.8'
Distance from column to end: 2m/6.56'
Max. lens height: 8.3m/27.2'
Min. lens height: 6.9m/22.6'
Height of column (with tripod and dolly): 1.8m/5.91'
Tilt range: -55°/45°
Dolly width: 0.82m
Shipping weight: 0.82m/2.69'

Remote Head Specification

Max. payload: 20kg/44.09lbs
Max. speed: 360° in 5 sec
Min speed: 360° in 5 min
Tilt range: ±720°
Pan range: Unlimited
Head weight: 4.64kg/10.23lbs
Shipping weight: 38.5kg/84.88lbs
Power input: AC95-265V or DC12-17V(Adaptor)
Power output: DC 13.5V

1330mmx400mmx400mm



600mmx450mmx220mm

Transportation

SC-SUPERJIB 12

Weight: 275kg/606.3lbs



CRANE ACCESSORIES

	<p>Lens Motor SC-402-01</p> <p>For Traveler Crane</p>		<p>Main Cable SC-401-17</p> <p>For Superman Crane</p>
	<p>Lens Motor SC-401-01</p> <p>For Superman Crane</p>		<p>Len Controllers cable SC-402-18</p> <p>For Traveler Crane</p>
	<p>Canon Lens Gear SC-402-02</p> <p>For Traveler Crane/ Superman Crane</p>		<p>Power cable SC-402-19</p> <p>For Traveler Crane/ Superman Crane</p>
	<p>Fujinon Lens Gear SC-402-03</p> <p>For Traveler Crane/ Superman Crane</p>		<p>Remote Head Controller SC-402-20</p> <p>For Traveler Crane</p>
	<p>Lens Motor Frame SC-402-04</p> <p>For Traveler Crane/ Superman Crane</p>		<p>ENG Camera Controller SC-402-21</p> <p>For Traveler Crane</p>
	<p>Lens Control Cable SC-402-05</p> <p>For Traveler Crane/ Superman Crane</p>		<p>DV Camera Controller SC-402-22</p> <p>For Traveler Crane</p>
	<p>Lens Conversion Cable SC-402-06</p> <p>For Traveler Crane/ Superman Crane</p>		<p>Head Controller SC-401-18</p> <p>For Superman Crane</p>
	<p>Main Cable SC-402-15</p> <p>For Traveler Crane</p>		<p>Camera Controller SC-401-19</p> <p>For Superman Crane</p>



SECCED[®]

Beijing United Victory Co., Ltd

Email: wendy@secced.com; info@univictory.com

Address: 10-9 Xisha Industrial zone, Beiqijia Town, Changping district, Beijing, China

Post code: 102209

Telephone: 86 10 8012 8386

Fax: 86 10 80128558

Mobile: 86 13810838721

www.secced.com