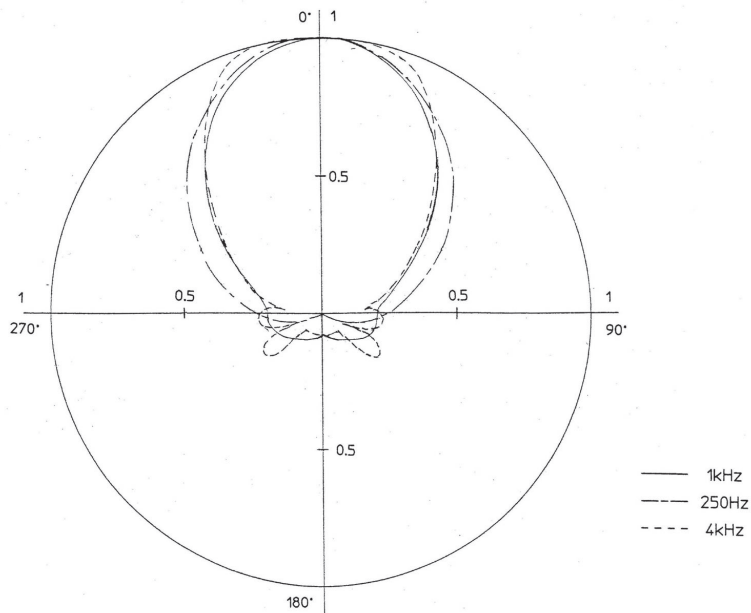




Super-Cardioid Polar Pattern



SGM-1000

INSTRUCTIONS



PROFESSIONAL PHANTOM-POWERED SHOTGUN MICROPHONE

Azden Corporation
147 New Hyde Park Road
P.O. Box 10
Franklin Square, NY 11010
vox 516.328.7500 • fax 516.328.7506
AzdenUS@azdencorp.com • www.azdencorp.com

Thank you for purchasing the Azden SGM-1000 phantom powered shotgun microphone. Designed for Video and Audio Professionals, the SGM-1000 is a directional super-cardioid shotgun microphone with a wide frequency response and low noise levels.

POWER:



The SGM-1000 can be powered by a "AAA" battery (not included) or by Phantom Power. To power the unit by battery, unscrew the bottom third of the barrel by turning it counter-clockwise. Install 1 new "AAA" Alkaline battery, making sure to check polarity, and close the case by turning it clockwise. DO NOT OVERTIGHTEN or you may strip the threads. To power the unit by Phantom Power, connect an XLR cable to the microphone with a voltage source that supplies between 11 and 52 VDC.

BATTERY/PHANTOM POWER SWITCH:

Switch the microphone to BATTERY to power the microphone by the internal battery. Switch the microphone to PHANTOM to power the microphone from an external voltage source.

NOTE: When not in use, switch the microphone to PHANTOM to preserve the battery.

LOW CUT FILTER ON/OFF SWITCH:

Switch to  for normal (flat) frequency response.
Switch to  for reduced low (bass) frequencies and increased clarity.

SHOCK-MOUNT HOLDER:

The SGM-1000 is supplied with a shock-mount holder. This holder can be used on a camera shoe or on a tripod. Push the barrel through the center of the elastic bands until it is positioned as shown. To secure the holder to a camera shoe, slide the holder into the camera shoe and tighten the thumb-wheel by turning it clockwise. To secure the holder to a tripod, screw the holder to the tripod by turning it clockwise until it is tight.

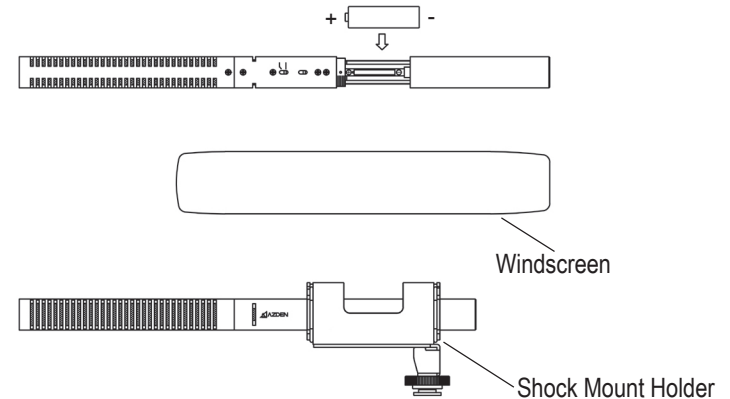
NOTE: Two holes are drilled into the bottom of the holder for different diameter threads, choose the one that matches your equipment.

MIC OUTPUT:

The SGM-1000 has a balanced XLR output and will work in any low impedance microphone input of 1K ohm or less. This includes balanced XLR or unbalanced 1/4" and 3.5mm microphone inputs. Due to the wide variety of possible connections and equipment used with the SGM-1000, an output cable is not supplied.

WIRELESS OPTIONS:

You can turn the SGM-1000 into a wireless microphone by purchasing one of Azden's unique XLR plug-in transmitters and matching receiver. For more details contact your Azden dealer or one of the dealers linked at our website: www.azdencorp.com



SPECIFICATIONS:

| | |
|-----------------------|---|
| FREQUENCY RESPONSE | 80-20,000Hz |
| LOW-CUT ROLL-OFF | 6dB/Octave @ 200Hz |
| SENSITIVITY | SUPER CARDIOID -33dB re 1V/Pa |
| IMPEDANCE | 1.5k Ohms @ 1KHz |
| MAX. SPL INPUT LEVEL | 120dB |
| SIGNAL TO NOISE RATIO | 70dB |
| DYNAMIC RANGE | 96dB |
| BATTERY TYPE | AAA (1.5V) - USE ALKALINE BATTERY |
| BATTERY CURRENT | 0.2 mA |
| BATTERY LIFE | 1000 HOURS w/ALKALINE BATTERY |
| WEIGHT w/o BATTERY | 4.94oz (140grams) |
| DIMENSIONS | 12.2" (310mm) length 0.83" (21mm) diameter |
| OUTPUT TYPE | 3-Pin XLR type |
| SUPPLIED ACCESSORIES | SHOCK MOUNT MIC HOLDER 1 WINDSCREEN 1 CARRY-POUCH |