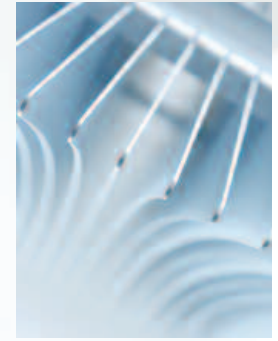
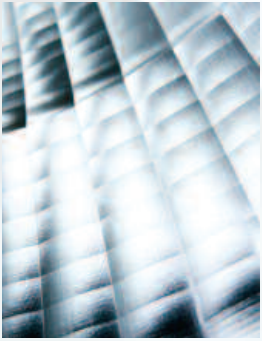


ARRIMAX 18/12

THE MOST POWERFUL HMI LIGHT ON THE PLANET



ARRI 



At a Glance:

ARRIMAX 18/12

- 50% brighter than a 12kW PAR
- Lensless design
- Arc-like shadow quality
- 15° to 50° beam angle: Standard Reflector
- 8° to 15° beam angle: Spot Reflector
- Easy Relamping
- Superior lamp support
- Supports lamps with GX51 or GX38 base
- Uses 18kW SE or 12kW SE lamps
- MaxMover Automated Stirrup (optional)



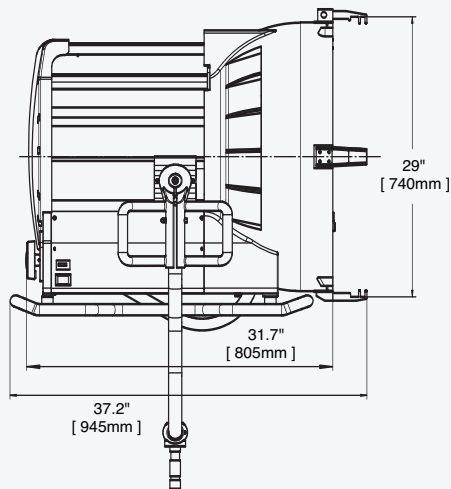
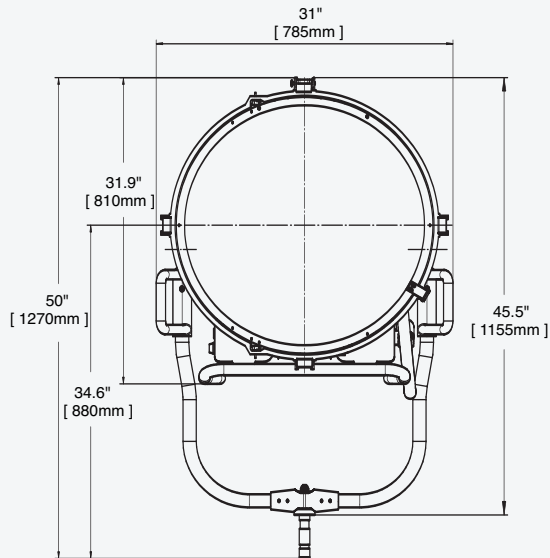
ARRIMAX Ballast

- 12/18kW—Auto Detection
- Input Voltage Regulation
- Input Frequency Regulation
- Active Line Filter (ALF)
- DMX control option
- 12/18kW power indication
- Dimming to 50% (1 Stop)
- Low Noise Mode (50/60Hz)
- Flicker Free Mode

ARRIMAX 18/12

THE MOST POWERFUL HMI LIGHT ON THE PLANET

ARRI's exciting new fixture provides an optimum choice for productions requiring maximum light output. Combining the variable beam spread of a Fresnel and the light output of a PAR, the ARRIMAX uses a unique reflector concept for beam control that eliminates the need for spread lenses.



Cat. No.	Description
563500	ARRIMAX 18/12
563524	Spot Reflector
562202	50ft. Head/Ballast Cable
562201	100ft. Head/Ballast Cable
563210	Four Leaf Barndoor
563220	Filter Frame
563230	Snoot
563245	18,000 Single Ended HMI Lamp
562245	12,000 Single Ended HMI Lamp
533250	29" Full Single Scrim
533251	29" Half Single Scrim
533252	29" Full Double Scrim
533253	29" Half Double Scrim
533256	29" Quarter Single Scrim
533257	29" Quarter Double Scrim
571720	Scrim Bag
562814	ARRIMAX 18/12 Electronic Ballast (220V 50/60Hz)
563590	ARRIMAX 18/12 Case
563920	ARRIMAX 18/12 Electronic Ballast Case
563700	MaxMover System with Remote and Case
563705	MaxMover Focus Unit

Photometric Data 18,000W SE Lamp

Distance	30ft	50ft	100ft	150ft
	9.1m	15.2m	30.4m	45.7m

Spot Focus: Beam Angle: 15°

Footcandles	14,440fc	5,198fc	1,300fc	578fc
Beam Diameter	7.9ft	13.2ft	26.3ft	39.5ft
	2.4m	4m	8m	12m

Flood Focus: Beam Angle 50°

Footcandles	1,495fc	538fc	135fc	60fc
Beam Diameter	28ft	46.7ft	93.3ft	140ft
	8.5m	14.2m	28.4m	42.6m

Spot Performance at any distance

Footcandles (or lux) equals 12,996,000 divided by Distance² Beam Diameter = Distance x .263

Flood Performance at any distance

Footcandles (or lux) equals 1,345,900 divided by Distance² Beam Diameter = Distance x .933

Specifications

Weight	143lb (65kg)
Reflector	ARRI, multi-faceted, paraboloidal-ellipsoidal shaped using high purity aluminum
Lampholder	ARRI spring loaded lampholder and base support clamping mechanism for GX38 and GX51 lamp bases
Mounting	1 1/8 (29mm) stand mount
Ballast	See ARRI Electronic Ballast Brochure



T 2.8 AT 500 FEET | 400 ASA | 24 FPS

ONE ARRIMAX



ARRIMAX 18/12



ARRISUN 120



AD 18/12 PLUS

fc @ 30 ft	ARRIMAX 18/12		ARRISUN 120		AD 18/12 PLUS	
	fc	Beam Angle	fc	Beam Angle	fc	Beam Angle
Spot	14,440	15°	8,241	15°	5,830	15°
Flood	1,495	50°	1,177	50°	1,106	50°

lux @ 10 m	ARRIMAX 18/12		ARRISUN 120		AD 18/12 PLUS	
	lux	Beam Angle	lux	Beam Angle	lux	Beam Angle
Spot	129,960	15°	74,171	15°	52,477	15°
Flood	13,459	50°	10,589	50°	9,955	50°



USA
 ARRI Inc.
 New York Office
 617 Route 303
 Blauvelt, NY
 10913-1109
 Tel.+1(845)353-1400
 Fax+1(845)425-1250
 lighting-info@arri.com
 www.arri.com

USA
 ARRI Inc.
 Burbank Office
 600 N. Victory Blvd.
 Burbank, CA
 91502-1639
 Tel.+1(818)841-7070
 Fax+1(818)848-4028

CANADA
 ARRI Canada LTD.
 415 Horner Avenue,
 Unit 11, Etobicoke
 Ontario M8W 4W3
 Tel.+1(416)255-3335
 Fax+1(416)255-3399

GERMANY
 ARNOLD & RICHTER
 CINE TECHNIK
 GmbH & Co. Betriebs KG
 Türkenstrasse 89
 D-80799 München
 Tel.+49(0)89-3809-0
 Fax +49(0)89-3809-1245

GREAT BRITAIN
 ARRI (GB) LTD.
 2 Highbridge,
 Oxford Road
 Uxbridge, Middlesex
 UB8 1LX
 Tel.+44(0)1895-457000
 Fax+44(0)1895-457001

ITALY
 ARRI ITALIA SRL
 Viale Edison 318
 I-20099
 Sesto S. Giovanni
 Milano
 Tel.+39(02)262-27175
 Fax+39(02)242-1692